

Deluxe wood[®]

CABINETS





TABLE OF CONTENTS

- 03 About Us
- 04 Become Our Dealer
- 08 Door Styles & Finishes
- 11 Delivery & Pick Up
- 12 Warranty and Terms & Conditions
- 16 Cabinet Dimensions
- 18 Maintenance & Care
- 20 Base Cabinets
- 28 Wall Cabinets
- 43 Pantry & Oven Cabinets
- 46 Storage & Accessories
- 51 Bathroom Vanities
- 54 Dummy Doors, Drawers & Replacements
- 56 Panels & Fillers
- 62 Moldings
- 65 Full Access Cabinetry



ABOUT US

QUALITY SERVICE IN CABINETRY

At Deluxe Wood Cabinetry, our mission is to transform a house into a home. We provide high-quality home décor and solid wood ready-to-assemble (RTA) kitchen and bath cabinetry to dealers across North East America.

With warehouses located in West Haven, CT; Bridgeport, CT; Maryland; South Carolina; and Texas, we are strategically positioned to efficiently meet diverse cabinet purchasing needs. We take pride in maintaining rigorous quality control through strict supervision of our cabinet assembly process. Our skilled carpenters are well-versed in the latest high-tech machinery and are dedicated to producing the finest cabinetry.

Our offerings include a range of styles from elegant to sleek and contemporary, featuring timeless white and gray Shaker-style cabinets as well as the newest modern designs, including slab doors and a stain options to suit any aesthetic. Our finishes are designed to endure and enhance any space.

Deluxe Wood Cabinetry simplifies the process with quick, customizable, and quality-assured assembly and distribution. Whether you're outfitting a busy home or creating a space for independence, we cater to your needs.

Join the Deluxe Wood Cabinetry family and let us help you make a house truly feel like home.

BECOME OUR DEALER

HOW TO SIGN UP

Step 1: Visit our online ordering system (www.deluxewoodexpress.com)


Step 2: Click "**sign up here**"



Sign in
Framed and Frameless Line


Email Address
name@example.com

Password

I'm not a robot  reCAPTCHA
Privacy - Terms

SIGN IN

Don't have an account yet? [Sign up here](#)
[Forgot Password?](#)



Step 3: Fill out the dealer form to its entirety

Step 4: Click "**sign up**" and await approval from Deluxe Wood Cabinetry



Create your account

Basic Information *

Name of Company

Enter name of company

Address

Enter address

Representative Name

Enter representative name

Contact Number

Enter contact number

Email

name@example.com

Fax

Enter fax

City

Enter city

State

Please Select

Company Logo

Choose File

No file chosen

SIGN UP




BECOME OUR DEALER

HOW TO QUOTE & ORDER

Step 1: If approved, you will be sent a welcome email and you can then log into www.deluxewoodexpress.com with registered email and password

Step 2: Click "**Add Draft**" to create quotes and place orders



Step 3: Fill out the below in its entirety, then click "**NEXT**"

New Drafts

Basic Information *

PO Number

Designer

Shipping Information *

Name

Email

Contact No

Address

State

City

Zip Code

NEXT



Troubleshooting Tip: We continuously make adjustments and improvements to our online portal. If you experience any issues with the website loading, please try refreshing the page and clearing your cookies.

BECOME OUR DEALER

HOW TO QUOTE & ORDER

Step 4: Select the door style and click "NEXT"

Select Style

Framed

- Liberty Shaker White Cab. Box Type: Framed
- Liberty Shaker Gray Cab. Box Type: Framed
- Liberty Shaker Light Gray Cab. Box Type: Framed
- Liberty Beveled White Cab. Box Type: Framed
- Liberty Beveled Light Gray Cab. Box Type: Framed Special C
- Liberty Shaker Ashleaf Cab. Box Type: Framed

Frameless

- Alvic Luxe Blanco Slab Cab. Box Type: Euro Economy
- Alvic Luxe Azul Indigo Slab Cab. Box Type: Euro Economy
- Alvic Luxe Cashmere Slab Cab. Box Type: Euro Economy
- Alvic Synchron Roble Muratti 01 Slab Cab. Box Type: Euro Economy
- Alvic Synchron Ida 02 Slab Cab. Box Type: Euro Economy
- Egger Auburn Carini Walnut Slab Cab. Box Type: Euro Economy

NEXT

Step 5: Choose either **Assembled/Unassembled**, and **Delivery Method**.

Enter the SKUs of the product you need and click it.

PO: Benny Zheng Draft Number: 2079 Designer: Benny Zheng

Liberty Shaker Ashleaf

CHANGE STYLE
REMOVE STYLE

Configuration

Assembled Unassembled

Service Type

Self Pickup Curbside Delivery In-house Delivery

ADD ANOTHER STYLE

NEXT

b24
VSB24
3DB24
SB24
B24





Troubleshooting Tip: We continuously make adjustments and improvements to our online portal. If you experience any issues with the website loading, please try refreshing the page and clearing your cookies.

BECOME OUR DEALER

HOW TO QUOTE & ORDER

Step 6: Choose the Hinge Placement / Finished End if needed, then click "NEXT"

NO	QTY.	SKU	CUT DEPTH	MODIFICATIONS	ACCESSORIES	HINGE SIDE	FINISHED END	ACTION
1	- 1 +	B24	No	None	None	N/A	L R BOTH NONE	 

Service Type

Self Pickup

Curbside Delivery

In-house Delivery

ADD ANOTHER STYLE

NEXT

 NOTE: You can add another style if you're doing a two-toned kitchen!

Step 7: By clicking **Save**, you will save your draft and work on it later

By clicking **Place Order**, you will be able to place your order via card

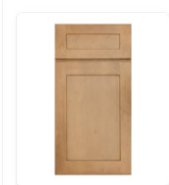
New Drafts

Refresh

With Price


Without Price

PO: Benny Zheng Draft Number: 2079 Designer: Benny Zheng







Liberty Shaker Ashleaf

EDIT DRAFT

 NOTE: You're able to download the order with or without the price!

Configuration

Assembled

NO	QTY.	SKU	CUT DEPTH	ACCESSORIES	MODIFICATION	HINGE SIDE	FINISHED END	ACTION
1	- 1 +	B24	None	None	None	N/A	L R BOTH NONE	
2	- 1 +	W2412	None	None	None	N/A	L R BOTH NONE	
3	- 1 +	W2415	None	None	None	N/A	L R BOTH NONE	
4	- 1 +	OCM	None	None	None	N/A	N/A	

Service Type

Self Pickup

Coupon Code (optional)

Apply Coupon

PO Number

Benny Zheng

Designer

Benny Zheng

Note

Paragraph **B** *I*        

Please enter note

Finish Side:	\$21
Item Price :	\$383.45
Subtotal	\$404.45
Total Discount:	0%
Total:	\$404.45

Save

Place Order

DOOR STYLES & FINISHES

Deluxe Wood Cabinetry brings your dream kitchen to life. Whether your style is transitional, contemporary, or you prefer paint to stain, we have exactly what you're looking for. No matter which door combination you choose, you'll always experience the same high-quality, dream-come-true results.

A home is meant to be lived in, and painted doors may require more maintenance due to handprints, fingerprints, daily-use residue, and potential marks or chips. It's important to note that with temperature changes, wood naturally expands and contracts, which can lead to hairline cracks in the finish and joints, particularly around miter joints. To help ensure stability, Deluxe Wood Cabinetry uses MDF (Medium-Density Flatboard) for the center panels in all painted cabinetry. We recommend ordering sample doors to see how they look in your space with changes in lighting and temperature. After all, the kitchen is the heart of the home, so consider not just the look but also the feel of the cabinetry that suits your needs.

Doors:

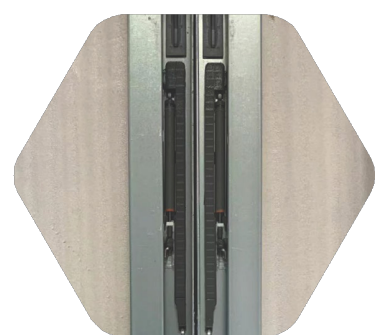
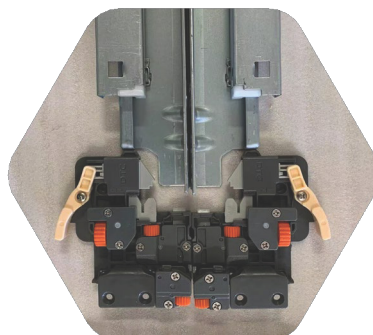
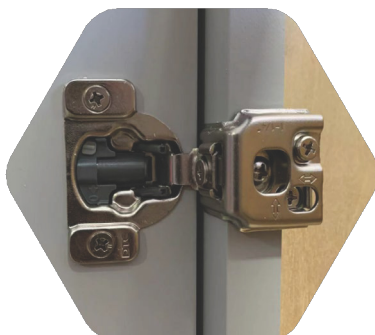
- Compact doors with a soft-close mechanism
- Concealed six-way adjustable hinges
- Solid wood frames with 3/8" MDF center panels
- Full overlay with mortise and tenon construction

Drawers:

- 5-piece design with recessed panel fronts
- 5/8" solid wood drawer boxes with dovetail construction
- DTC soft-close full extension
- Concealed drawer runners

Boxes:

- Dovetail construction
- 1/2" select birch plywood
- 3/4" adjustable shelves
- Edge-banded with wood veneer finished interior



TRANSITIONAL STYLES

LIBERTY COLLECTION



Liberty Shaker
Grey



Liberty Shaker
Light Grey



Liberty Shaker
White

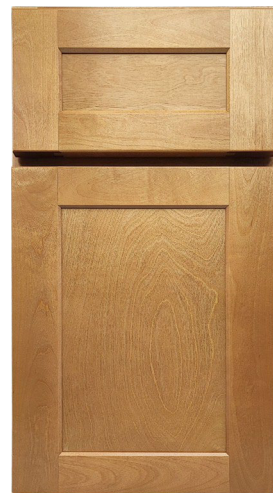


Liberty Beveled
Light Grey



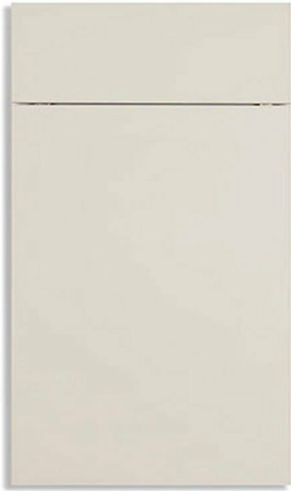
Liberty Beveled
White

LEGACY COLLECTION



Legacy Shaker
Ashleaf

MODERN STYLES



Alvic Luxe
Cashmere - Slab



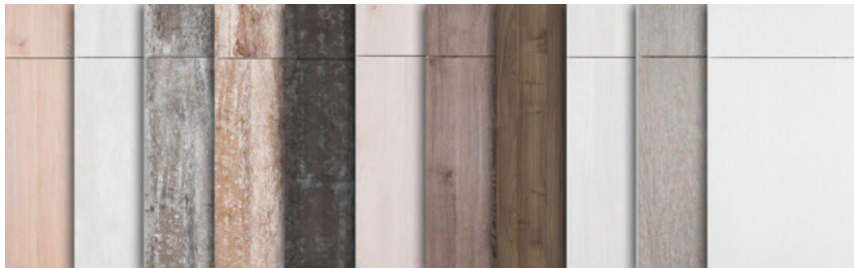
Alvic Luxe
Blanco - Slab



Alvic Synchron
Ida 02 - Slab



Alvic Luxe
Azul Indigo - Slab



*More colors available for
special order!*



DELIVERY & PICK UP

At Deluxe Wood Cabinetry, we prioritize efficiency and quality, offering various options to fit your needs, whether you prefer ready-to-assemble (RTA) or pre-assembled cabinetry.

Lead Times: Most orders are ready for pick-up or delivery within days, depending on stock availability and customization requests.

RTA vs. Assembled Cabinets:

Ready-to-Assemble (RTA): Our RTA cabinets are flat-packed for easy transport and quick assembly on-site. Ideal for those looking for cost savings and flexibility.

Pre-Assembled Cabinets: For added convenience, we offer fully assembled cabinets that arrive ready to install, saving you time and effort during the setup process.

Delivery & Pick-Up Options:

Pick-Up: Our warehouse is fully stocked, and you can conveniently pick up your orders at 1901 Commerce Drive, Bridgeport CT 06605.

Curbside Delivery: We offer fast, reliable delivery services to ensure your cabinetry arrives in perfect condition.

White Glove Delivery: For those who want a more hands-off experience, we provide white glove delivery, including in-home placement, unpacking, and debris removal for an easy and seamless setup.

Please note that lead times may vary slightly based on product demand and customization. We strive to meet your deadlines with efficiency and care.



WARRANTY AND TERMS & CONDITIONS

Part 1: Coverage of Warranty

Deluxe Wood Cabinetry is pleased to provide the following limited warranty on all kitchen cabinets and vanities.

This warranty does not cover cabinets sold or shipped outside of the United States. It is subject to all limitations, exclusions, disclaimers, and procedures outlined herein.

Deluxe Wood Cabinetry warrants to the original purchasing consumer, and any subsequent owner to whom this warranty has been assigned, that all cabinets purchased from Deluxe Wood Cabinetry will be free from unnatural defects in material and workmanship under normal residential use for a period of TWO (2) YEARS from the date of the original purchase.

Part 2: Exclusions

This warranty supersedes all previous warranties on Deluxe Wood Cabinetry products and constitutes the only and exclusive remedy for defects, damages, and workmanship issues. There are no implied warranties extending beyond the terms of this limited warranty.

Deluxe Wood Cabinetry shall not be liable for natural wear and tear or any indirect, special, punitive, incidental, or consequential costs, expenses, or damages. This warranty provides you with specific legal rights, and you may also have additional rights, depending on your jurisdiction. It is possible that some limitations and exclusions in this warranty may not apply to you.

Part 3: Limitations

This warranty is void if the cabinets, cabinetwork, drawer slides, or hinges are modified from their original form, improperly installed, damaged before or during installation, or used for non-residential purposes. It covers only parts and materials of cabinets branded as Deluxe Wood Cabinetry.

This warranty does not cover any products used or installed in connection with cabinets, including but not limited to gas or electric appliances, countertops, or plumbing fixtures. Additionally, it does not apply to cabinets installed in locations without year-round environmental or temperature controls equivalent to those of a typical household.

This warranty does not cover damages caused by transportation, storage, dirt, chemicals, exposure to moisture, humidity, excessive heat or cold, or defects resulting from normal wear and tear, misuse, neglect, accidents, alterations, improper use, lack of proper maintenance, house settling, or acts of God. No installer, retailer, distributor, agent, or employee of Deluxe Wood Cabinetry has the authority to modify or alter the obligations or limitations set forth in this warranty.

WARRANTY AND TERMS & CONDITIONS

Part 4: Disclaimers

The following is a recap of some of the characteristics of the wood and finishes on the cabinets you are about to purchase. Please read them carefully. If these characteristics concern you, please reconsider your purchase. Deluxe Wood Cabinetry will not be held responsible for these natural variations. Wood products deemed defective are often the result of atmospheric conditions, such as excess moisture or humidity. Deluxe Wood Cabinetry strongly recommends testing the installation environment for such conditions prior to setup.

WOOD AND COLOR VARIATIONS:

Wood is a natural product, meaning cabinets will vary in color, texture, and grain. Variations such as mineral streaks, pinholes, and knots are not considered defects. Similarly, color differences due to species, age, or UV light exposure are natural and expected. As a result, new or replacement cabinets may not perfectly match samples or existing units.

WOOD DOORS:

Due to atmospheric humidity and temperature changes, wood naturally expands and contracts, which can cause movement in door center panels. This is normal, and panels typically return to their original position within a year. Doors warped up to 1/4" are not considered defective. Improper installation can also cause doors to appear warped, so it is essential to verify the installation process.

PAINTED FINISHES:

Birch, a non-porous, smooth-grained wood, can show finish stress lines, particularly at the joints, as the wood expands and contracts. This is not considered a defect.

STAIN FINISHES:

Due to the natural variation in wood grains and textures, stained finishes may appear uneven or have subtle differences in color between individual cabinet components. This is normal and should be expected, as each piece of wood absorbs stain differently. Additionally, factors such as lighting, grain direction, and wood species may cause the stain to look different once installed in your home. These natural variations in the appearance of stained cabinets are not considered defects.

Over time, exposure to sunlight and household elements may cause slight color changes in stained finishes. This aging process is a natural characteristic of wood and is not covered under warranty.

Part 5: Warranty Performance

If a defect occurs within the warranty terms, Deluxe Wood Cabinetry will, at its sole discretion, repair or replace the defective part. We do not cover the cost of removing defective products, transportation, or installation of repaired or replaced products.

Deluxe Wood Cabinetry is not responsible for damages incurred during the transportation or shipment of products. If a product has been discontinued or is unavailable, Deluxe Wood Cabinetry reserves the right to replace it with the closest alternative from the current inventory. Exact finish matches on replacements are not guaranteed due to the natural aging process of wood and finishes. Deluxe Wood Cabinetry may require clear photos or an in-person inspection before honoring a warranty claim.

WARRANTY AND TERMS & CONDITIONS

Part 6: Claims

To submit a claim, the original proof of purchase and full payment, or a certified copy, must be provided to Deluxe Wood Cabinetry. You may submit your claim via email to info@deluxewoodcabinetry.com. Deluxe Wood Cabinetry will contact you once your claim has been received and processed.

Disclaimer: Any damaged cabinets must be returned for replacement or refund.

Shipping and Pickup Policies

Deluxe Wood Cabinetry strives to provide timely and efficient delivery or pickup options for your orders. Please be advised of the following policies regarding shipping, pickup, and associated fees:

Order Pickup:

Orders must be picked up within 3 days of notification that your order is ready. Failure to pick up your order within this timeframe will result in a holding fee of \$10 per box per day. If your order is cancelled after it has been processed or picked, a restocking fee of 25% will apply.

Shipping Policy:

Shipping costs vary based on the size of your order. Below are the additional shipping fees based on the total number of boxes being shipped:

- 15-18 boxes: \$50 additional shipping fee
- 19-25 boxes: \$150 additional shipping fee
- 26-36 boxes: \$250 additional shipping fee
- 37-50 boxes: \$450 additional shipping fee

Delivery Schedule and Rescheduling:

Deliveries are scheduled during business hours. Any request to reschedule must be made at least 48 hours in advance to avoid additional fees.

Damaged Goods During Shipping:

Customers must inspect their goods upon delivery. Any damage must be reported to Deluxe Wood Cabinetry within 48 hours to be eligible for replacement.

Refused Deliveries:

Any refused deliveries will incur a restocking fee of 25% and the customer will be responsible for return shipping costs.

Shipping Method and Carrier:

Deluxe Wood Cabinetry reserves the right to choose the shipping method and carrier. Delivery times are estimates and not guaranteed.

Delivery Location Restrictions:

Deliveries to locations requiring special handling (e.g., stairs, remote locations) may incur additional charges.

WARRANTY AND TERMS & CONDITIONS

Price Specifications

Prices listed in the current specification guide, accessible electronically from the authorized factory link, take precedence over previous price lists and may change without notice.

Style and Specification Changes

Styles, finishes, hardware, and specifications are subject to change without prior notice.

Currency and Taxes

Prices are exclusive of taxes and are listed in U.S. dollars. Dealers without a tax exemption certificate will retroactively incur Connecticut state tax charges. Deluxe Wood Cabinetry is not responsible for collecting or paying any dealer taxes.

Payment Terms

- Late payments will incur a monthly interest charge of 1.5% or the maximum allowable by law, whichever is lower.
- Credit card payments are accepted under the following conditions:
- Orders paid by credit card cannot be disputed.
- Credit card payments are processed through a Merchant site and are subject to its terms.
- A transaction fee will be charged for each credit card payment based on Merchant fees.

Account Status

Deluxe Wood Cabinetry products are exclusively available to authorized accounts; possessing a price list does not grant purchase rights. Inactive accounts with no purchases for six months will require a new application for reactivation.

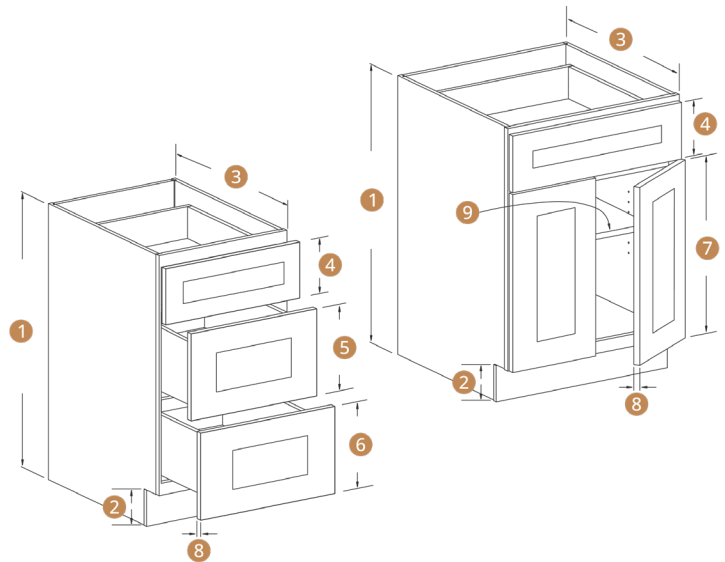
CABINET DIMENSIONS

ALL WOOD BASE CABINET

- 01 Standard Height 34-3/4"
- 02 Standard Toekick 4-1/2" H
- 03 Standard Depth 24"
- 04 Standard Top Drawer 6-3/4" H
- 05 Standard Middle Drawer 11-1/4" H
- 06 Standard Bottom Drawer 11-1/4" H
- 07 Standard Full Height Door 22-3/4" H
- 08 Standard Solid Wood Door 3/4"
- 09 Standard 3/4" Plywood Shelf Depth 18"

Key Features:

- Heavy-Duty Undermount Stainless Steel Glides with a soft-closing mechanism for smooth and quiet operation.
- 6-Way Stainless Steel Adjustable Hinges to easily adjust and switch the door opening direction.
- Adjustable Shelves for flexible storage solutions.
- 3/4" Solid Wood Dovetail Frame

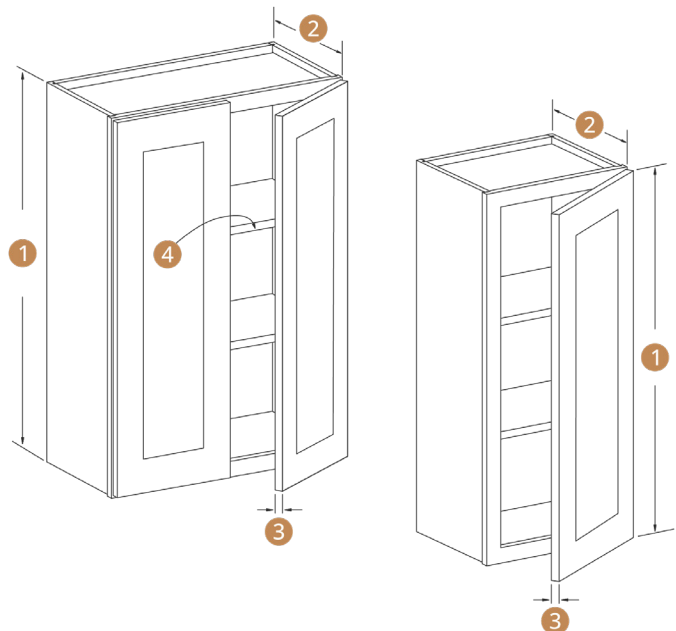


ALL WOOD WALL CABINET

- 01 Standard Heights 30", 36", 42"
- 02 Standard Depth 12"
- 03 Standard Solid Wood Door 3/4"
- 04 Standard 3/4" Plywood Shelf Depth 10-2/3"

Key Features:

- 6-Way Stainless Steel Adjustable Hinges to easily adjust and switch the door opening direction.
- Adjustable Shelves for flexible storage solutions.
- 3/4" Solid Wood Dovetail Frame



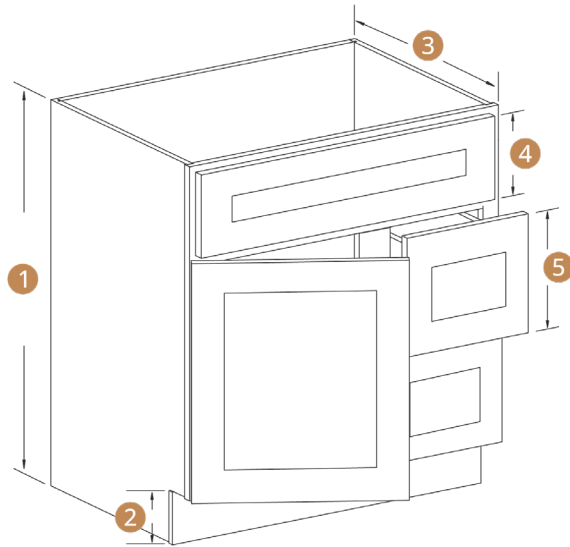
CABINET DIMENSIONS

ALL WOOD VANITY CABINET

- 01 Standard Overall Height 34-1/2"
- 02 Standard Toekick 4-1/2" H
- 03 Standard Depth 21"
- 04 Standard Top Front Drawer 6-2/3" H
- 05 Standard Middle/Bottom Drawer 11-1/4" H

Key Features:

- Heavy-Duty Undermount Stainless Steel Glides with a soft-closing mechanism for smooth and quiet operation.
- 6-Way Stainless Steel Adjustable Hinges to easily adjust and switch the door opening direction.
- Adjustable Shelves for flexible storage solutions
- 3/4" Solid Wood Dovetail Frame

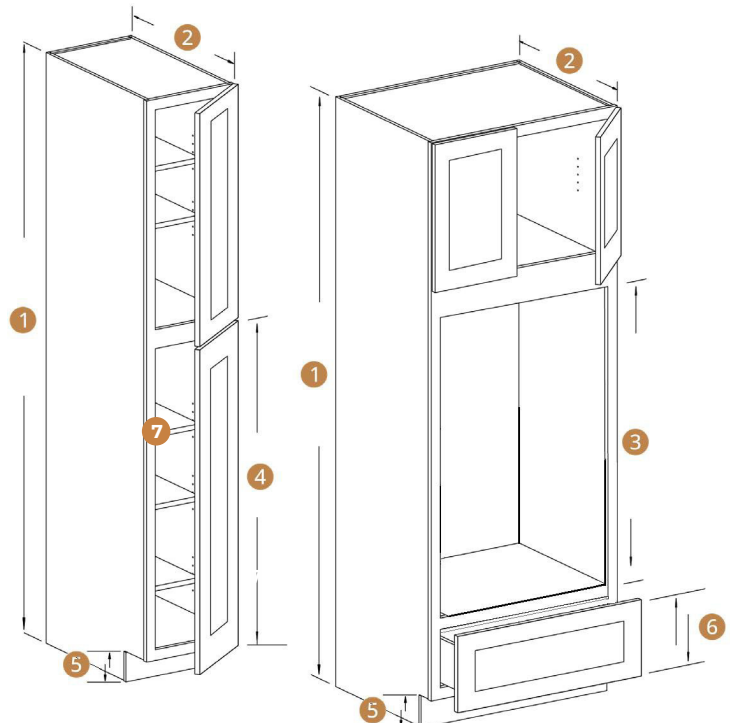


ALL WOOD TALL CABINET

- 01 Standard Heights 84", 90", 96"
- 02 Standard Depth 24"
- 03 Standard Opening 51-1/2" H
- 04 Standard Door 49-1/2" H
- 05 Standard Toekick 4 1/2 H
- 06 Standard Drawer 11-1/3" H
- 07 Standard 3/4" Plywood Shelf Depth 21"

Key Features:

- Heavy-Duty Undermount Stainless Steel Glides with a soft-closing mechanism for smooth and quiet operation.
- 6-Way Stainless Steel Adjustable Hinges to easily adjust and switch the door opening direction.
- Adjustable Shelves for flexible storage solutions.
- 3/4" Solid Wood Dovetail Frame



MAINTENANCE & CARE

At Deluxe Wood Cabinetry, we understand that when our customers invest in beautiful new cabinetry, they seek designs and styles that enhance their lifestyle while standing the test of time. Given that the kitchen is a busy space, there are a few simple practices you can follow to protect your cabinetry and maintain its appearance:

- **Regular Dusting:** Dust is a natural part of any home. To keep your cabinetry looking pristine, dust or vacuum regularly. When dusting, use a cloth moistened with water or a suitable polish, and always wipe in the direction of the wood grain to avoid scratches.
- **Cleaning Residue:** Everyday kitchen use can lead to splatters from food, oil, or smoke. To clean these residues, use a damp cloth or one lightly infused with furniture polish. Ideal cloths for cleaning include clean dish towels, cheesecloth, or old t-shirts that are free from buttons or snaps, which can scratch the surface.

By following these simple care tips, you can ensure that your cabinetry remains beautiful and functional for years to come.

01 Basic Cleaning:

- Use a soft, lint-free cloth for dusting or cleaning.
- Damp the cloth with mild detergent, polish, or a mixture of soap and warm water.
- Clean in the direction of the grain for best results.
- Employ a "blotting" motion rather than a "wiping" motion.
- If surfaces become wet, dry them immediately with a soft, lint-free cloth.
- Avoid using dishcloths or sponges, as detergent residues can damage finishes.
- Steer clear of ammonia-based cleaners and soaps that contain dyes.

02 Basic Care:

Caring for your cabinetry doesn't have to be time-consuming; a little care goes a long way. Consistency and proactivity are your best defenses against wear and tear.

Remember the Three NO's:

- **No Spill Left Uncleaned:** Clean up spills immediately to prevent damage.
- **No Moisture & Heat:** Keep cabinetry away from excessive moisture and heat sources.
- **No Abrasives:** Avoid using abrasive cleaners that can scratch the surface.

MAINTENANCE & CARE

03 Basic Care Tips

If You Spill It, Clean It

- If a spill occurs, wipe it up promptly. Food spills, especially grease and oil, are much easier to clean when addressed immediately.
- For water rings and spots, use a clean, lint-free cotton cloth to prevent moisture from seeping into the cabinetry.
- To protect surfaces, use trays under potted plants.
- Regularly check the areas around the sink, dishwasher, and any other water-using appliances to ensure there are no leaks and that water isn't accumulating on the cabinetry.

Say No to Moisture & Heat

- Avoid leaving damp dish towels or dishcloths on or over cabinet doors or the base of cabinets for extended periods.
- Refrain from using appliances that generate heat or steam, such as tea kettles, in proximity to cabinetry surfaces.
- If placing a hot item down, always use a hot pad for protection.

Goodbye Abrasives

- Avoid using scouring pads, steel wool, wire brushes, and powdered cleaners, as they can scratch your cabinetry.
- Keep oven cleaner away from all cabinet surfaces, as it can be extremely damaging.
- Do not slide items across the surface of your cabinets.
- Always use a cutting board when using knives or other sharp objects.
- When in doubt, don't! Harsh cleaning chemicals can destroy the finish and penetrate the surface, allowing moisture and food to get inside.

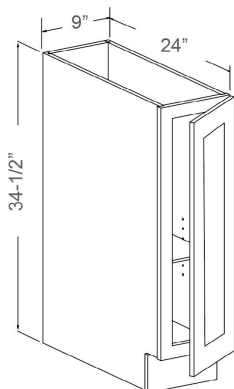
04 Cleaning of Glass Door Inserts:

- For glass door inserts, use a household glass cleaner with a soft, clean cloth.
- Apply the cleaning solution to the cloth instead of directly onto the glass to prevent excess cleaner from dripping into cabinet joints.
- Never use full-strength ammonia; always dilute it before use.

BASE CABINETS



BASE CABINET WITH A FULL HEIGHT DOOR



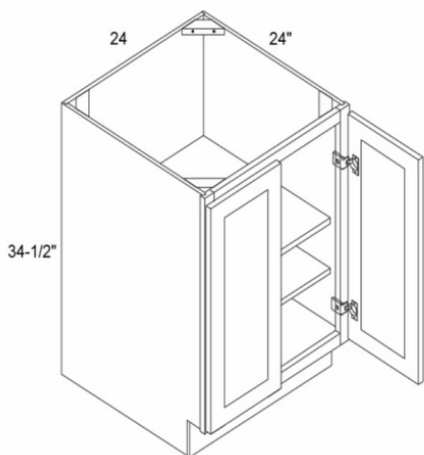
Features:

- 1 Door
- 1 Adjustable Shelf

General Info

Item Code	Dimension (W x H x D)
B09FH	9 x 34-1/2 x 24 Inch
B12FH	12 x 34-1/2 x 24 Inch
B15FH	15 x 34-1/2 x 24 Inch
B18FH	18 x 34-1/2 x 24 Inch
B21FH	21 x 34-1/2 x 24 Inch

BASE CABINET WITH 2 FULL HEIGHT DOORS



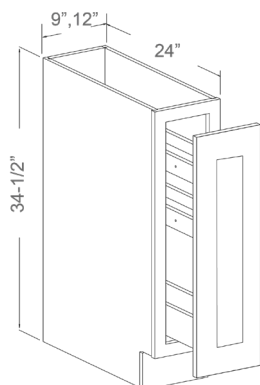
Features:

- 2 Doors
- 2 Adjustable Shelves

General Info

Item Code	Dimension (W x H x D)
B24FH	24 x 34-1/2 x 24 Inch
B27FH	27 x 34-1/2 x 24 Inch
B30FH	30 x 34-1/2 x 24 Inch
B33FH	33 x 34-1/2 x 24 Inch
B36FH	36 x 34-1/2 x 24 Inch

BASE CABINET WITH SPICE PULL-OUT



Features:

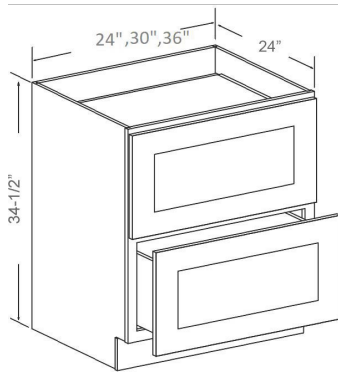
- 1 Door
- 3 Fixed Pull-Out Shelves

General Info

Item Code	Dimension (W x H x D)
B09SP	9 x 34-1/2 x 24 Inch
B12SP	12 x 34-1/2 x 24 Inch

Note: Soft-close ball bearing side glides are not included.

DRAWER BASE WITH 2 DRAWERS



Features:

- 2 Drawers
- No Shelf

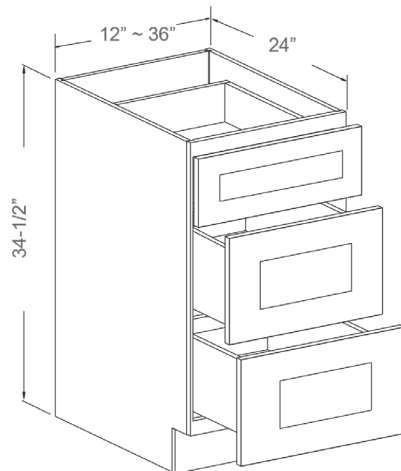
General Info

Item Code	Dimension (W x H x D)
2DB24	24 x 34-1/2 x 24 Inch
2DB30	30 x 34-1/2 x 24 Inch
2DB36	36 x 34-1/2 x 24 Inch

Description:

2 Deep Drawers with Solid Wood Drawer Box

DRAWER BASE WITH 3 DRAWERS



Features:

- 3 Drawers
- No Shelf

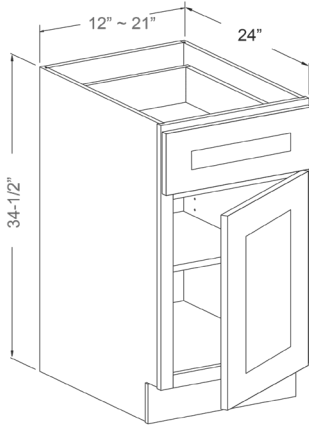
General Info

Item Code	Dimension (W x H x D)
3DB12	12 x 34-1/2 x 24 Inch
3DB15	15 x 34-1/2 x 24 Inch
3DB18	18 x 34-1/2 x 24 Inch
3DB21	21 x 34-1/2 x 24 Inch
3DB24	24 x 34-1/2 x 24 Inch
3DB30	30 x 34-1/2 x 24 Inch
3DB36	36 x 34-1/2 x 24 Inch

Description:

1 Standard Drawer and 2 Deep Drawers with Solid Wood Drawer Box

BASE CABINET WITH 1 DRAWER & 1 DOOR



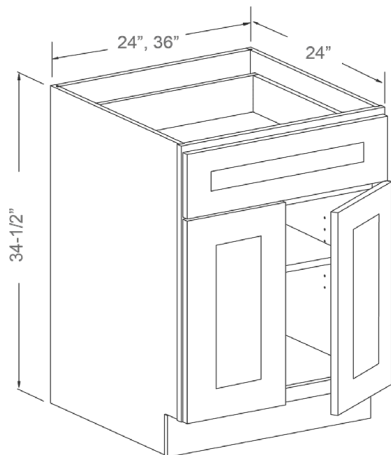
Features:

- 1 Drawer
- 1 Door
- 1 Adjustable Shelves

General Info

Item Code	Dimension (W x H x D)
B12	12 x 34-1/2 x 24 Inch
B15	15 x 34-1/2 x 24 Inch
B18	18 x 34-1/2 x 24 Inch
B21	21 x 34-1/2 x 24 Inch

BASE CABINET WITH 1 DRAWER & 2 DOORS



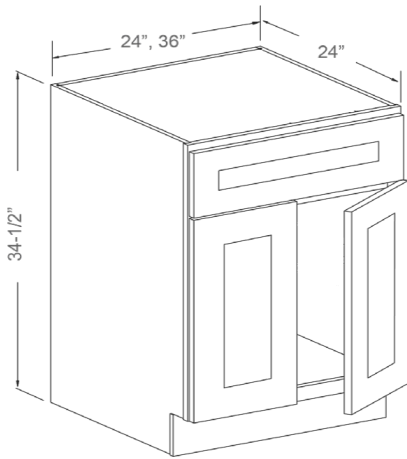
Features:

- 1 Drawer
- 2 Doors
- 1 Adjustable Shelf

General Info

Item Code	Dimension (W x H x D)
B24	24 x 34-1/2 x 24 Inch
B27	27 x 34-1/2 x 24 Inch
B30	30 x 34-1/2 x 24 Inch
B33	33 x 34-1/2 x 24 Inch
B36	36 x 34-1/2 x 24 Inch

SINK BASE WITH FALSE DRAWER FRONT & 2 DOORS



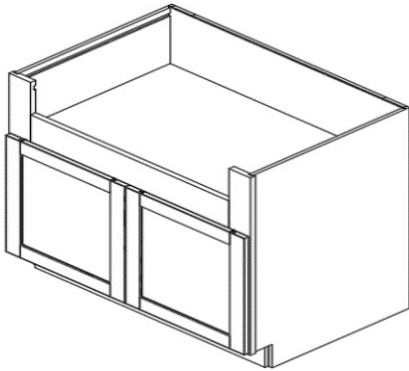
Features:

- 1 False Drawer Fixed to Frame
- 2 Doors
- No Shelf

General Info

Item Code	Dimension (W x H x D)
SB24	24 x 34-1/2 x 24 Inch
SB27	27 x 34-1/2 x 24 Inch
SB30	30 x 34-1/2 x 24 Inch
SB33	33 x 34-1/2 x 24 Inch
SB36	36 x 34-1/2 x 24 Inch

FARM SINK BASE WITH 2 DOORS



Features:

- 2 Doors
- No Shelf

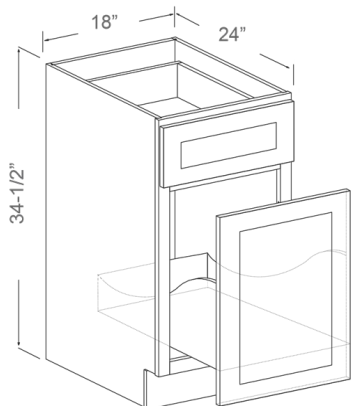
General Info

Item Code	Dimension (W x H x D)
FS30	30 x 34-1/2 x 24 Inch
FS33	33 x 34-1/2 x 24 Inch
FS36	36 x 34-1/2 x 24 Inch

Description:

For Farm Style Sink Only

WASTE BIN



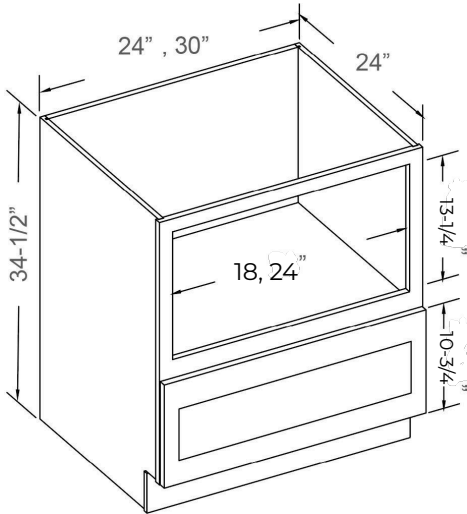
Features:

- 1 Standard Drawer with Solid Wood Drawer Box
- 1 Door
- 1 Large Bin Cut-Out with 2 Plastic Waste Bins

General Info

Item Code	Dimension (W x H x D)
BWB15	15 x 34-1/2 x 24 Inch
BWB18	18 x 34-1/2 x 24 Inch
BWB21	21 x 34-1/2 x 24 Inch

BASE MICROWAVE DRAWER



Features:

- 1 Bottom Drawer with Solid Wood Drawer Box

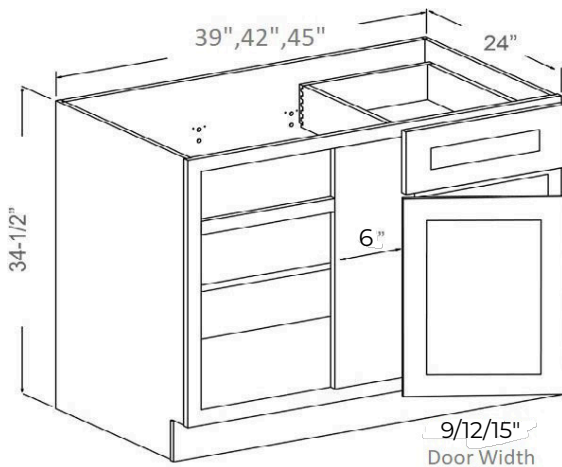
General Info

Item Code	Dimension (W x H x D)
BMD24	24x 34-1/2 x 24 Inch
BMD30	30 x 34-1/2 x 24 Inch

Description:

- For Built-In Microwaves Only (Not Countertop Microwaves)
- Contractor/Installer Cut To Microwave Size

BASE BLIND CORNER



Features:

- 1 Drawer
- 1 Door (Left or Right)
- 1 Adjustable Shelf

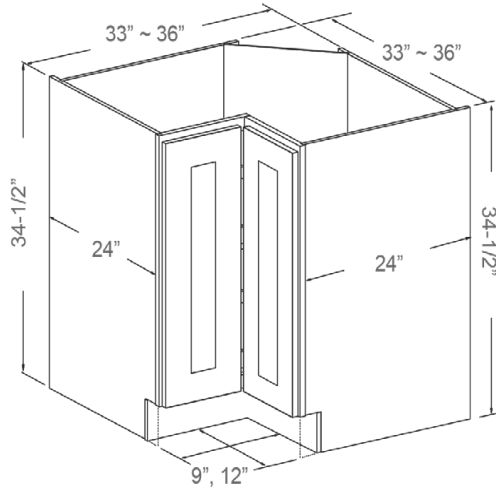
General Info

Item Code	Dimension (W x H x D)	Door
BLB39/42	39 x 34-1/2 x 24 Inch	9" Full Door
BLB42/45	42 x 34-1/2 x 24 Inch	12" Drawer/Door
BLB45/48	45 x 34-1/2 x 24 Inch	15" Drawer/Door

Description:

- Minimum 3" pull from the wall when install
- Filler size is 6"

LAZY SUSAN BASE



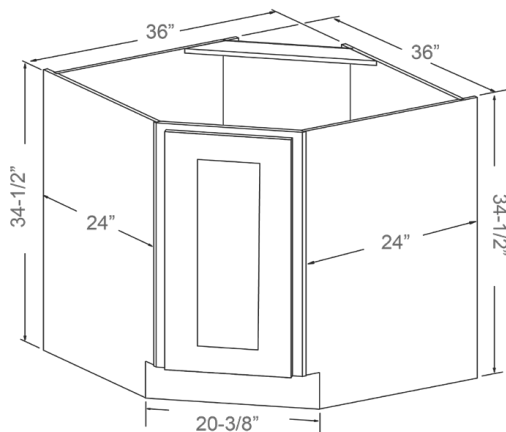
Features:

- 1 Bi-folding Door
- 2 Wooden Kidney-Shaped Lazy Susans

General Info

Item Code	Dimension (W x H x D)
LSB33(L/R)	33 x 34-1/2 x 24 Inch
LSB36(L/R)	36 x 34-1/2 x 24 Inch

DIAGONAL SINK BASE



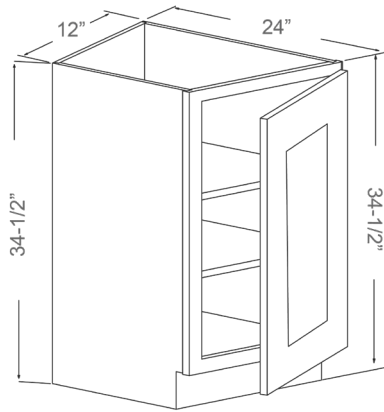
Features:

- 1 Full Door
- No Shelf

General Info

Item Code	Dimension (W x H x D)
DSB36	36 x 34-1/2 x 24 Inch

BASE ANGLE END (L/R)



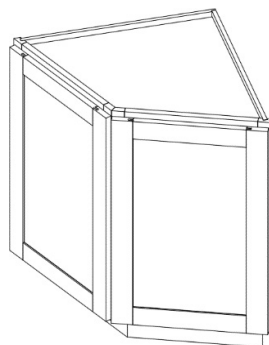
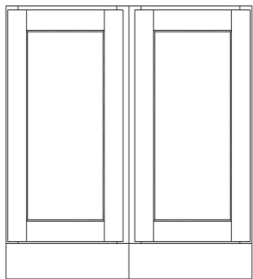
Features:

- 1 Full Door
- 2 Adjustable Shelves

General Info

Item Code	Dimension (W x H x D)
BAE12L	12 x 34-1/2 x 24 Inch
BAE12R	12 x 34-1/2 x 24 Inch

BASE ANGLE END



Features:

- 2 Full Doors
- 1 Adjustable Shelf

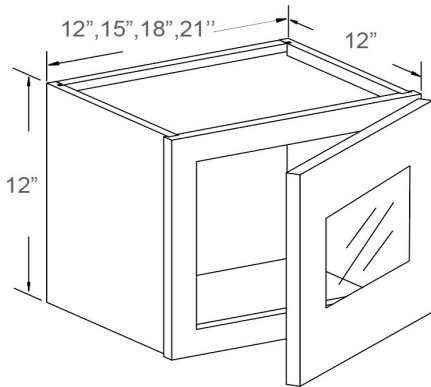
General Info

Item Code	Dimension (W x H x D)
BAE24	24 x 34-1/2 x 24 Inch

WALL CABINETS



WALL CABINET 12" H WITH GLASS INSERT DOOR



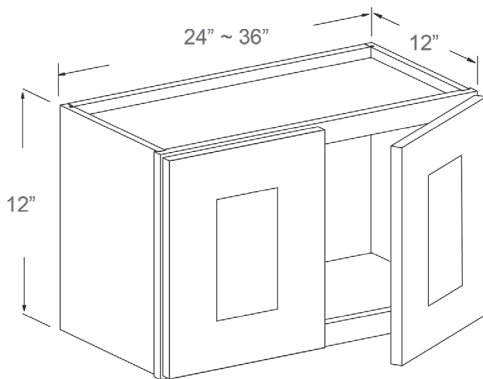
Features:

- 1 Glass Insert Door
- No Shelf

General Info

Item Code	Dimension (W x H x D)
W1212GD&BOX	12 x 12 x 12 Inch
W1512GD&BOX	15 x 12 x 12 Inch
W1812GD&BOX	18 x 12 x 12 Inch
W2112GD&BOX	21 x 12 x 12 Inch

WALL CABINET 12" H WITH 2 DOORS



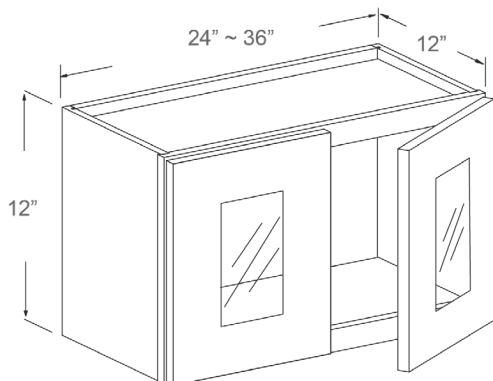
Features:

- 2 Doors
- No Shelf

General Info

Item Code	Dimension (W x H x D)
W2412	24 x 12 x 12 Inch
W3012	30 x 12 x 12 Inch

WALL CABINET 12" H WITH 2 GLASS INSERT DOORS



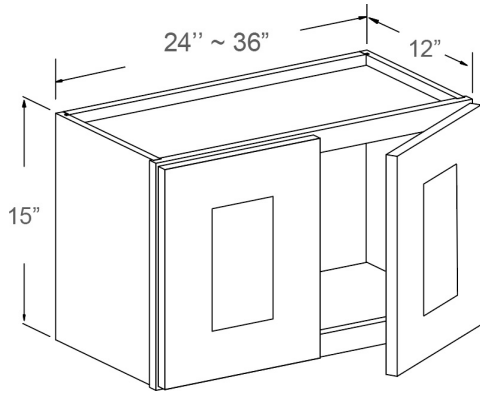
Features:

- 2 Glass Insert Doors
- No Shelf

General Info

Item Code	Dimension (W x H x D)
W2412GD&BOX	24 x 12 x 12 Inch
W3012GD&BOX	30 x 12 x 12 Inch
W3312GD&BOX	33 x 12 x 12 Inch

WALL CABINET 15" H WITH 2 DOORS



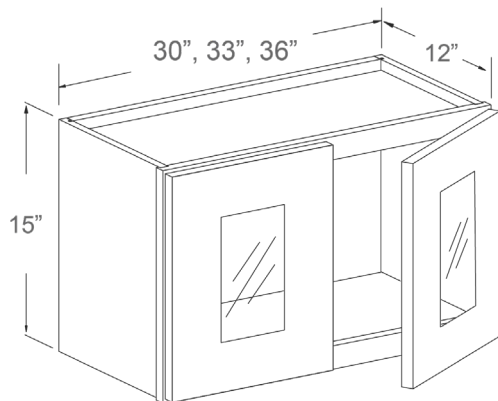
Features:

- 2 Doors
- No Shelf

General Info

Item Code	Dimension (W x H x D)
W2415	24 x 15 x 12 Inch
W3015	30 x 15 x 12 Inch
W3315	33 x 15 x 12 Inch
W3615	36 x 15 x 12 Inch

WALL CABINET 15" H WITH 2 GLASS INSERT DOORS



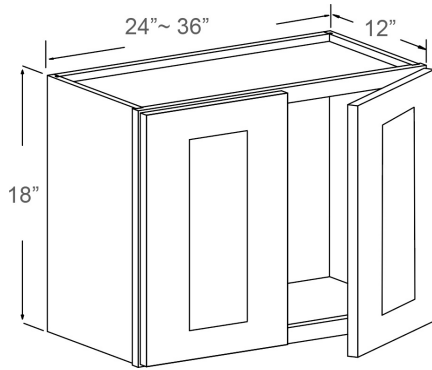
Features:

- 2 Doors
- No Shelf

General Info

Item Code	Dimension (W x H x D)
W3018GD&BOX	30 x 18 x 12 Inch
W3318GD&BOX	33 x 18 x 12 Inch
W3618GD&BOX	36 x 18 x 12 Inch

WALL CABINET 18" H WITH 2 DOORS



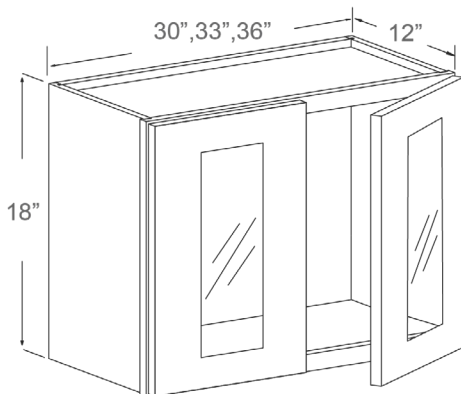
Features:

- 2 Doors
- No Shelf

General Info

Item Code	Dimension (W x H x D)
W2418	24 x 18 x 12 Inch
W3018	30 x 18 x 12 Inch
W3318	33 x 18 x 12 Inch
W3618	36 x 18 x 12 Inch

WALL CABINET 18" H WITH 2 GLASS INSERT DOORS



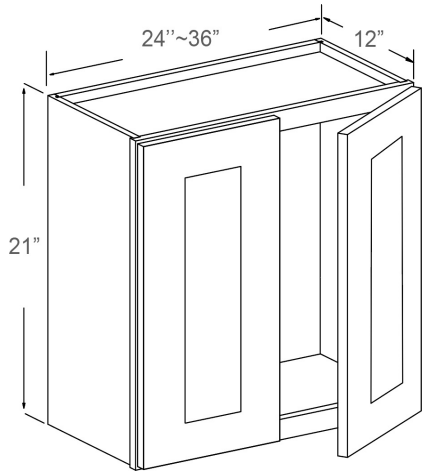
Features:

- 2 Doors
- No Shelf

General Info

Item Code	Dimension (W x H x D)
W3018GD&BOX	30 x 18 x 12 Inch
W3318GD&BOX	33 x 18 x 12 Inch
W3618GD&BOX	36 x 18 x 12 Inch

WALL CABINET 21" H WITH 2 DOORS



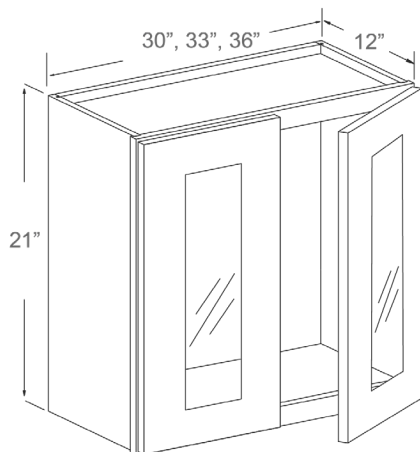
Features:

- 2 Doors
- No Shelf

General Info

Item Code	Dimension (W x H x D)
W2421	24 x 21 x 12 Inch
W3021	30 x 21 x 12 Inch
W3321	33 x 21 x 12 Inch
W3621	36 x 21 x 12 Inch

WALL CABINET 21" H WITH 2 GLASS INSERT DOORS



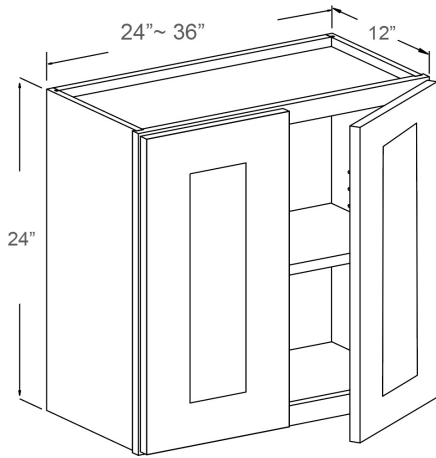
Features:

- 2 Glass Insert Doors
- No Shelf

General Info

Item Code	Dimension (W x H x D)
W3021GD&BOX	30 x 21 x 12 Inch
W3321GD&BOX	36 x 21 x 12 Inch

WALL CABINET 24" H WITH 2 DOORS



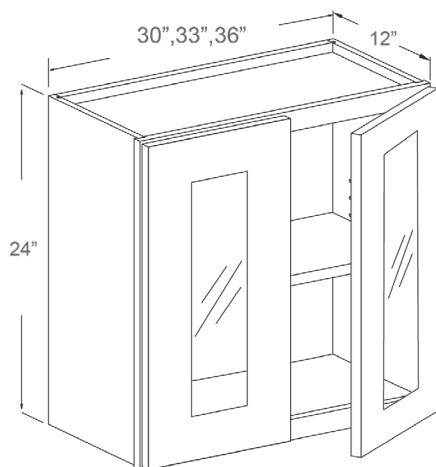
Features:

- 2 Doors
- 1 Adjustable Shelf

General Info

Item Code	Dimension (W x H x D)
W2424	24 x 24 x 12 Inch
W3024	30 x 24 x 12 Inch
W3324	33 x 24 x 12 Inch
W3624	36 x 24 x 12 Inch

WALL CABINET 24" H WITH 2 GLASS INSERT DOORS



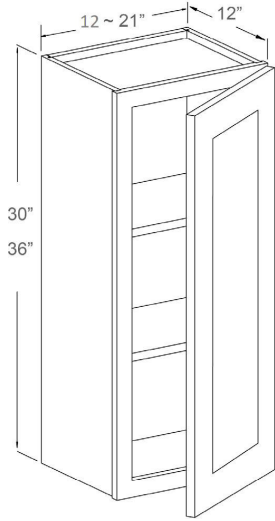
Features:

- 2 Glass Insert Doors
- 1 Adjustable Shelf

General Info

Item Code	Dimension (W x H x D)
W3024GD&BOX	30 x 24 x 12 Inch
W3324GD&BOX	33 x 24 x 12 Inch
W3624GD&BOX	36 x 24 x 12 Inch

WALL CABINET 30" H & 36" H



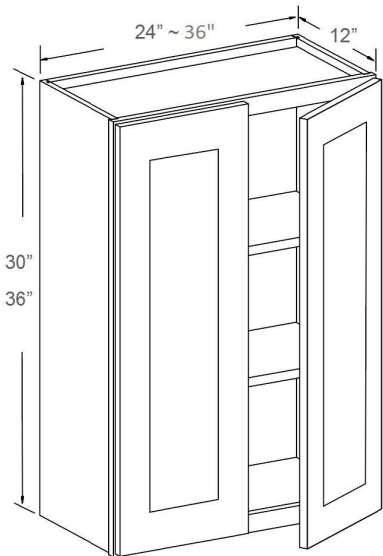
Features:

- 1 Door
- 2 Adjustable Shelves

General Info

Item Code	Dimension (W x H x D)
W0930	09 x 30 x 12 Inch
W1230	12 x 30 x 12 Inch
W1530	15 x 30 x 12 Inch
W1830	18 x 30 x 12 Inch
W0936	09 x 36 x 12 Inch
W1236	12 x 36 x 12 Inch
W1536	15 x 36 x 12 Inch
W1836	18 x 36 x 12 Inch
W2136	21 x 36 x 12 Inch

WALL CABINET 30" H & 36" H



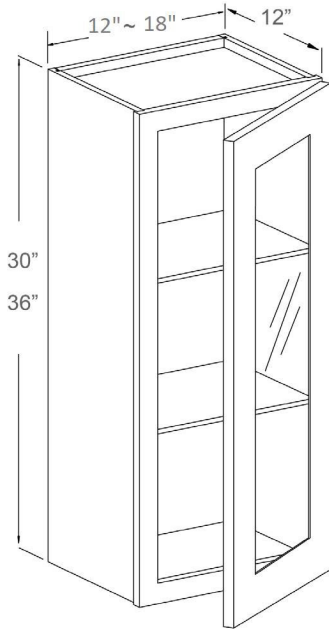
Features:

- 2 Doors
- 2 Adjustable Shelves

General Info

Item Code	Dimension (W x H x D)
W2430	24 x 30 x 12 Inch
W2730	27 x 30 x 12 Inch
W3030	30 x 30 x 12 Inch
W3330	33 x 30 x 12 Inch
W3630	36 x 30 x 12 Inch
W2436	24 x 36 x 12 Inch
W2736	27 x 36 x 12 Inch
W3036	30 x 36 x 12 Inch
W3336	33 x 36 x 12 Inch
W3636	36 x 36 x 12 Inch

WALL CABINET 30"H & 36"H - GLASS INSERT DOOR



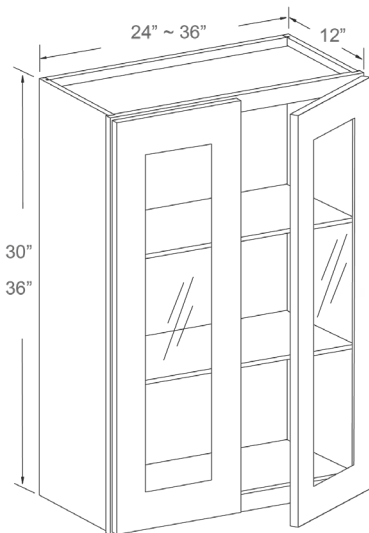
Features:

- 1 Glass Insert Door
- 2 Adjustable Shelves

General Info

Item Code	Dimension (W x H x D)
W1230GD&BOX	12 x 30 x 12 Inch
W1530GD&BOX	15 x 30 x 12 Inch
W1830GD&BOX	18 x 30 x 12 Inch
W1236GD&BOX	12 x 36 x 12 Inch
W1536GD&BOX	15 x 36 x 12 Inch
W1836GD&BOX	18 x 36 x 12 Inch

WALL CABINET 30" H & 36" H - GLASS INSERT DOOR



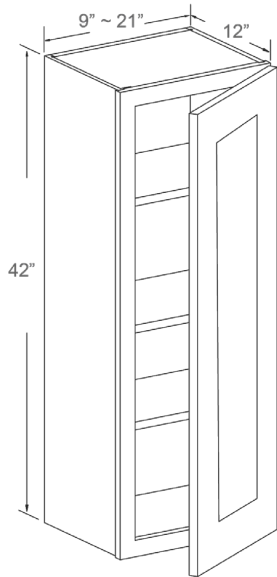
Features:

- 2 Glass Insert Doors
- 2 Adjustable Shelves

General Info

Item Code	Dimension (W x H x D)
W2430G&BOX	24 x 30 x 12 Inch
W2730GD&BOX	27 x 30 x 12 Inch
W3030GD&BOX	30 x 30 x 12 Inch
W3330GD&BOX	33 x 30 x 12 Inch
W3630GD&BOX	36 x 30 x 12 Inch
W2436GD&BOX	24 x 36 x 12 Inch
W2736GD&BOX	27 x 36 x 12 Inch
W3036GD&BOX	30 x 36 x 12 Inch
W3336GD&BOX	33 x 36 x 12 Inch
W3636GD&BOX	36 x 36 x 12 Inch

WALL CABINET 42" H



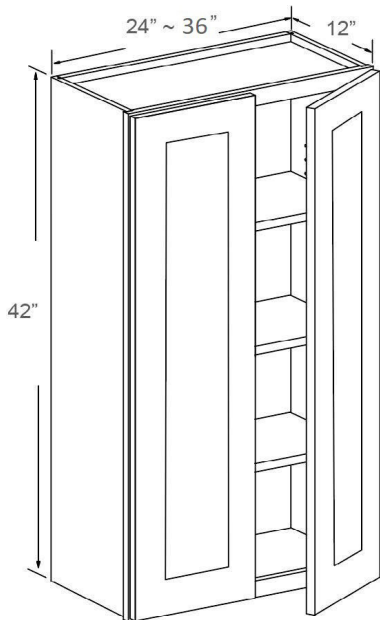
Features:

- 1 Door
- 3 Adjustable Shelves

General Info

Item Code	Dimension (W x H x D)
W0942	9 x 42 x 12 Inch
W1242	12 x 42 x 12 Inch
W1542	15 x 42 x 12 Inch
W1842	18 x 42 x 12 Inch
W2142	21 x 42 x 12 Inch

WALL CABINET 42" H



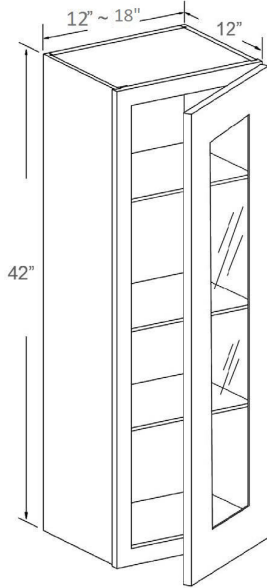
Features:

- 2 Doors
- 3 Adjustable Shelves

General Info

Item Code	Dimension (W x H x D)
W2442	24 x 42 x 12 Inch
W2742	27 x 42 x 12 Inch
W3042	30 x 42 x 12 Inch
W3342	33 x 42 x 12 Inch
W3642	36 x 42 x 12 Inch

WALL CABINET 42" H - GLASS INSERT DOOR



Features:

- 1 Glass Insert Door
- 3 Adjustable Shelves

General Info

Item Code	Dimension (W x H x D)
W1242GD&BOX	12 x 42 x 12 Inch
W1542GD&BOX	15 x 42 x 12 Inch
W1842GD&BOX	18 x 42 x 12 Inch

WALL CABINET 42" H - GLASS INSERT DOOR



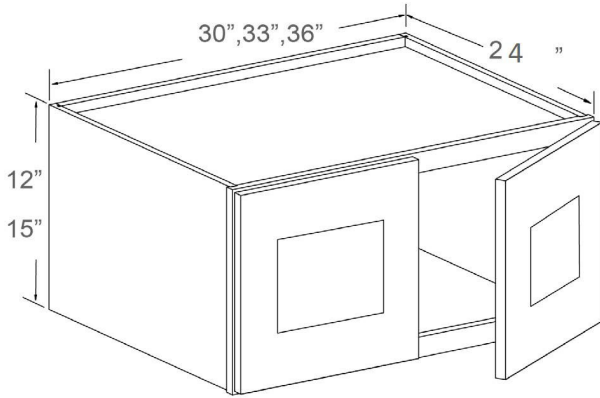
Features:

- 2 Glass Insert Doors
- 3 Adjustable Shelves

General Info

Item Code	Dimension (W x H x D)
W2442GD&BOX	24 x 42 x 12 Inch
W2742GD&BOX	27 x 42 x 12 Inch
W3042GD&BOX	30 x 42 x 12 Inch
W3342GD&BOX	33 x 42 x 12 Inch
W3642GD&BOX	36 x 42 x 12 Inch

REFRIGERATOR WALL CABINET 12" H & 15" H



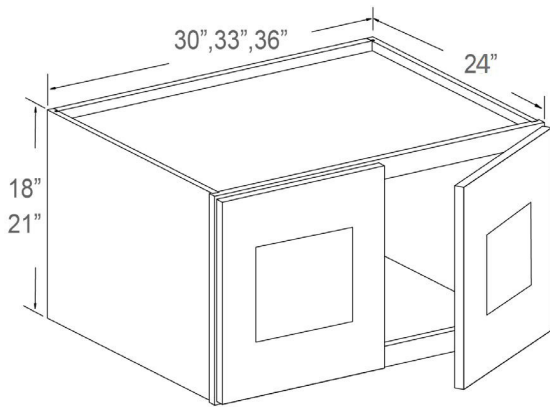
Features:

- 2 Doors
- No Shelf

General Info

Item Code	Dimension (W x H x D)
W301224	30 x 12 x 24 Inch
W331224	33 x 12 x 24 Inch
W361224	36 x 12 x 24 Inch
W301524	30 x 15 x 24 Inch
W331524	33 x 15 x 24 Inch
W361524	36 x 15 x 24 Inch

REFRIGERATOR WALL CABINET 18" H & 21" H



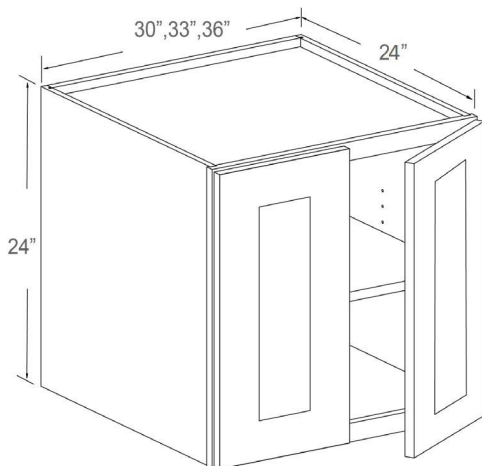
Features:

- 2 Doors
- No Shelf

General Info

Item Code	Dimension (W x H x D)
W301824	30 x 18 x 24 Inch
W331824	33 x 18 x 24 Inch
W361824	36 x 18 x 24 Inch
W302124	30 x 21 x 24 Inch
W332124	33 x 21 x 24 Inch
W362124	36 x 21 x 24 Inch

REFRIGERATOR WALL CABINET 24"H



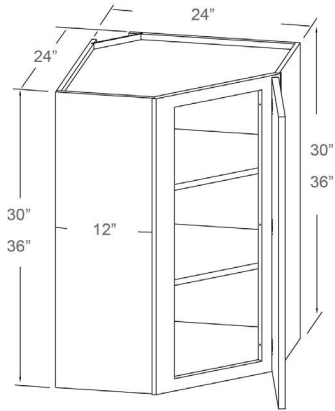
Features:

- 2 Doors
- 1 Adjustable Shelf

General Info

Item Code	Dimension (W x H x D)
W302424	30 x 24 x 24 Inch
W332424	33 x 24 x 24 Inch
W362424	36 x 24 x 24 Inch

WALL DIAGONAL CORNER 30" H & 36" H



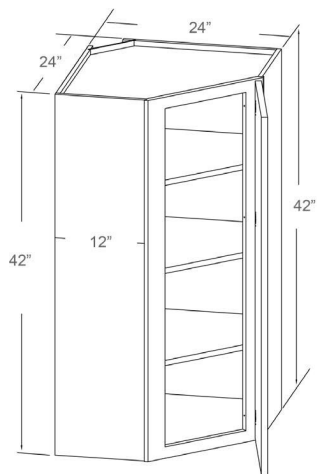
Features:

- 1 Door
- 2 Adjustable Shelves

General Info

Item Code	Dimension (W x H x D)
WDC2430	24 x 30 x 12 Inch
WDC2436	24 x 36 x 12 Inch

WALL DIAGONAL CORNER 42" H



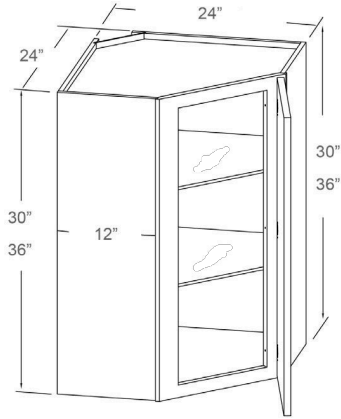
Features:

- 1 Door
- 3 Adjustable Shelves

General Info

Item Code	Dimension (W x H x D)
WDC2442	24 x 42 x 12 Inch

WALL DIAGONAL CORNER 30"H & 36"H



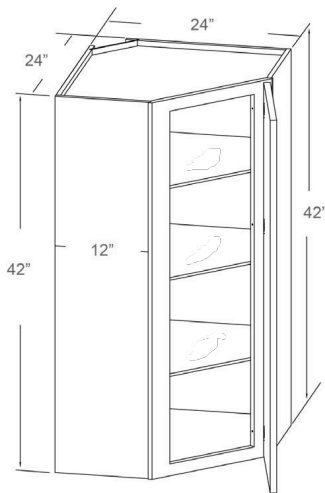
Features:

- 2 Glass Insert Doors
- 1 Adjustable Shelf

General Info

Item Code	Dimension (W x H x D)
W3024GD&BOX	30 x 24 x 12 Inch
W3324GD&BOX	33 x 24 x 12 Inch
W3624GD&BOX	36 x 24 x 12 Inch

WALL DIAGONAL CORNER 42" H



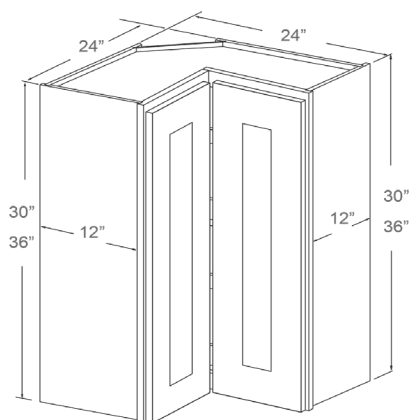
Features:

- 2 Glass Insert Doors
- 3 Adjustable Shelves

General Info

Item Code	Dimension (W x H x D)
WDC2442GD&BOX	24 x 42 x 12 Inch

SQUARE CORNER WALL CABINET 30" H & 36" H



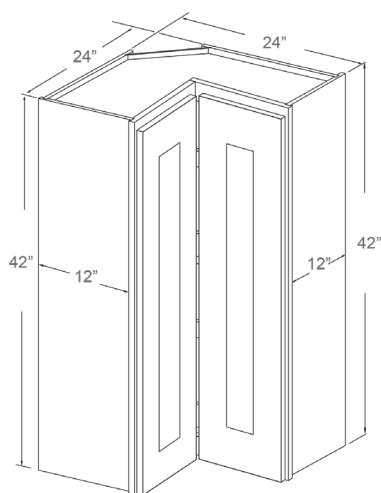
Features:

- 1 Bi-folding Door
- 2 Adjustable Shelves

General Info

Item Code	Dimension (W x H x D)
SCW2430	24 x 30 x 12 Inch
SCW2436	24 x 36 x 12 Inch

SQUARE CORNER WALL CABINET 42" H



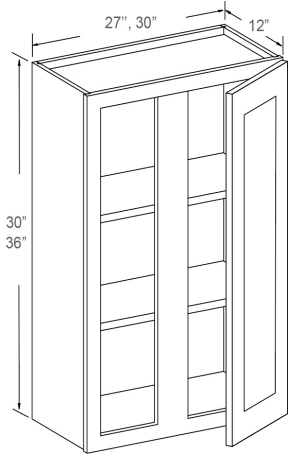
Features:

- 1 Bi-folding Door
- 3 Adjustable Shelves

General Info

Item Code	Dimension (W x H x D)
SCW2442	24 x 42 x 12 Inch

WALL BLIND CORNER 30" H & 36" H



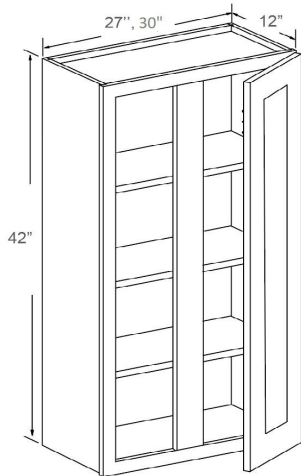
Features:

- 1 Door
- 2 Adjustable Shelves

General Info

Item Code	Dimension (W x H x D)
WBC2730	27 x 30 x 12 Inch
WBC3030	30 x 30 x 12 Inch
WBC2736	27 x 36 x 12 Inch
WBC3036	30 x 36 x 12 Inch

WALL BLIND CORNER 42" H



Features:

- 1 Door
- 3 Adjustable Shelves

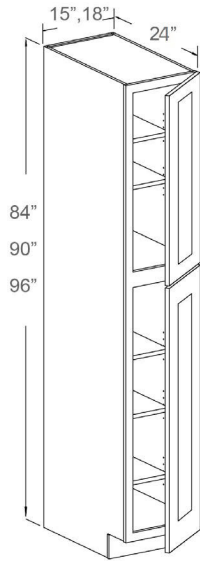
General Info

Item Code	Dimension (W x H x D)
WBC2742	27 x 42 x 12 Inch
WBC3042	30 x 42 x 12 Inch

PANTRY & OVEN CABINETS



PANTRY CABINET 84" H & 90" H & 96" H - 24" D



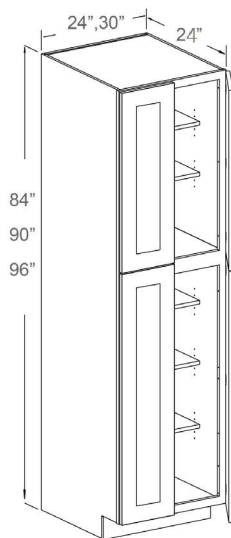
Features:

- 2 Doors
- 2 Adjustable Top Shelves
- 3 Adjustable Bottom Shelves

General Info

Item Code	Dimension (W x H x D)
TP158424	15 x 84 x 24 Inch
TP188424	18 x 84 x 24 Inch
TP159024	15 x 90 x 24 Inch
TP189024	18 x 90 x 24 Inch
TP159624	15 x 96 x 24 Inch
TP189624	18 x 96 x 24 Inch

PANTRY CABINET 84" H & 90" H & 96" H - 24" D



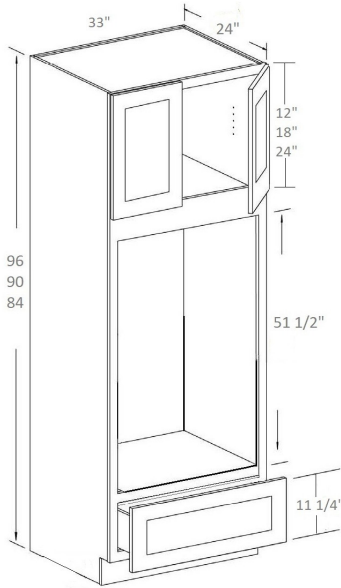
Features:

- 4 Doors
- 2 Adjustable Top Shelves
- 3 Adjustable Bottom Shelves

General Info

Item Code	Dimension (W x H x D)
TP248424	24 x 84 x 24 Inch
TP308424	30 x 84 x 24 Inch
TP249024	24 x 94 x 24 Inch
TP309024	30 x 90 x 24 Inch
TP249624	24 x 96 x 24 Inch
TP309624	30 x 96 x 24 Inch

TALL OVEN CABINET 84" H & 90" H & 96" H



Features:

- 2 Door
- 1 Drawer

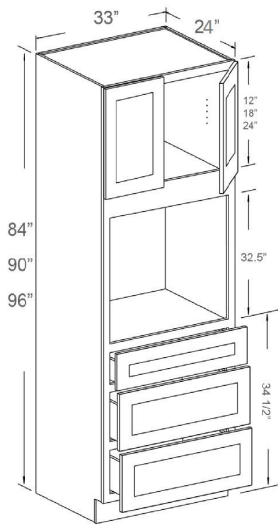
General Info

Item Code	Dimension (W x H x D)
OC338424	33 x 84 x 24 Inch
OC339024	33 x 90 x 24 Inch
OC339624	33 x 96 x 24 Inch

Description:

Oven Specifications are required.

TALL OVEN CABINET 84" H & 90" H & 96" H - 3 DRAWERS



Features:

- 2 Doors
 - 3 Drawers
- Opening: 32" H - 50" H x 30" W

General Info

Item Code	Dimension (W x H x D)
OCS338424	33 x 84 x 24 Inch
OCS339024	33 x 90 x 24 Inch
OCS339624	33 x 96 x 24 Inch

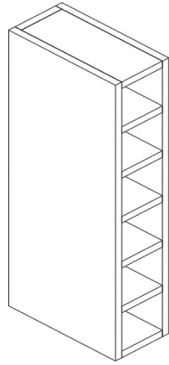
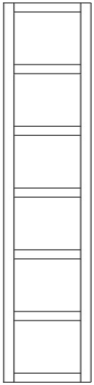
Description:

Oven Specifications are required.

STORAGE & ACCESSORIES



WALL CROSS WINE RACK

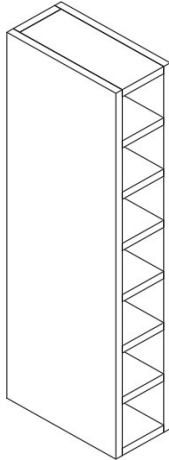
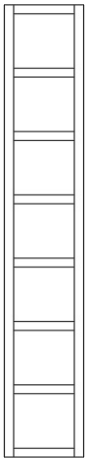


Features:

- 6 Compartments
- Matching Color Finish

General Info

- Item Code Dimension (W x H x D)
- WCX0630 6 x 30 x 12 Inch

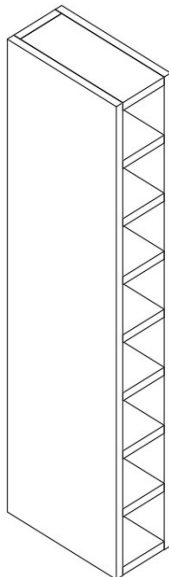
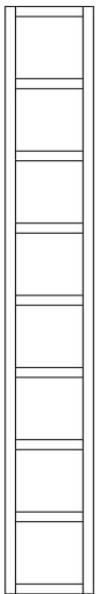


Features:

- 7 Compartments
- Matching Color Finish

General Info

- Item Code Dimension (W x H x D)
- WCX0636 6 x 36 x 12 Inch



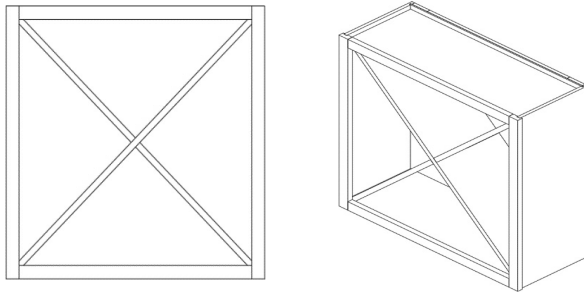
Features:

- 8 Compartments
- Matching Color Finish

General Info

- Item Code Dimension (W x H x D)
- WCX0642 6 x 42 x 12 Inch

WALL CROSS WINE RACK



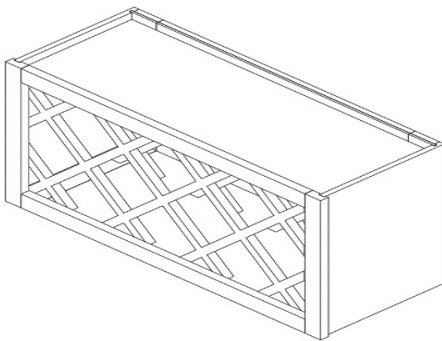
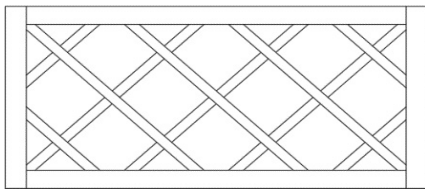
Features:

- 4 Compartments
- Matching Color Finish

General Info

- Item Code Dimension (W x H x D)
- WCX1818 18 x 18 x 12 Inch

LATTICE WINE RACK



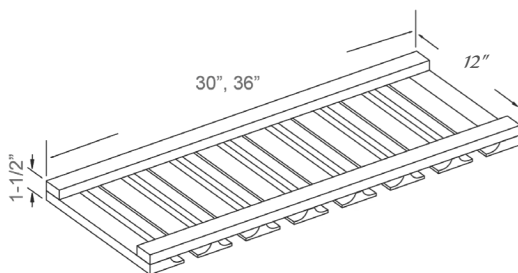
Features:

- 18 Compartments
- Matching Color Finish

General Info

- Item Code Dimension (W x H x D)
- WR3015 30 x 15 x 12 Inch
- WR3018 30 x 18 x 12 Inch
- WR3615 36 x 15 x 12 Inch
- WR3618 36 x 18 x 12 Inch

STEMWARE RACK



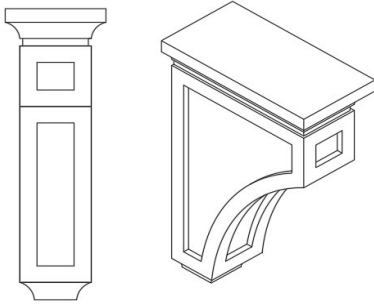
Features:

- 7 Rail Openings
- Matching Color Finish
- 8 Rails for 36" W*

General Info

- Item Code Dimension (W x H x D)
- SGH30 30 x 1-1/2 x 12"
- SGH36 36 x 1-1/2 x 12"

CORBEL



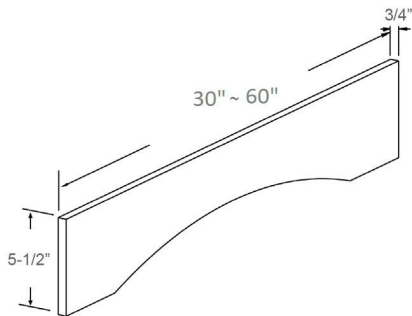
Features:

- Solid Wood
- Matching Color Finish

General Info

Item Code	Dimension (W x H x D)
CORT	5-1/4 x 12-1/2 x 4-1/2 Inch

ARCH VALANCE



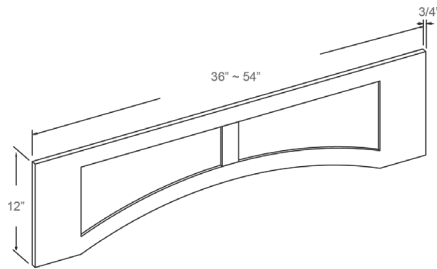
Features:

- 3/4" Solid Wood
- Matching Color Finish
- Finished on Edges

General Info

Item Code	Dimension (W x H x D)
• VAR30	30 x 5-1/2 x 3/4 Inch
• VAR36	36 x 5-1/2 x 3/4 Inch
• VAR42	42 x 5-1/2 x 3/4 Inch
• VAR48	48 x 5-1/2 x 3/4 Inch
• VAR54	54 x 5-1/2 x 3/4 Inch
• VAR60	60 x 5-1/2 x 3/4 Inch

ARCH VALANCE WITH DOOR STYLE



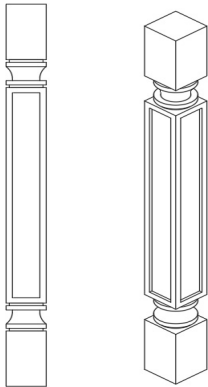
Features:

- 3/4" Solid Wood
- Matching Color Finish and Door Style
- Finished on Edges

General Info

Item Code	Dimension (W x H x D)
RPV36	36 x 12 x 3/4 Inch
RPV42	42 x 12 x 3/4 Inch
RPV48	48 x 12 x 3/4 Inch
RPV54	54 x 12 x 3/4 Inch
RPV60	60 x 12 x 3/4 Inch

STANDARD POST



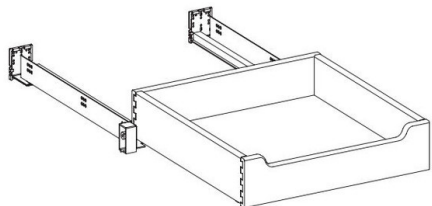
Features:

- Solid Wood
- Matching Color Finish

General Info

Item Code	Dimension (W x H x D)
SP3 31/2	3-1/2 x 34-1/2 x 3-1/2 Inch

ROLL OUT TRAY



Features:

- Solid Wood

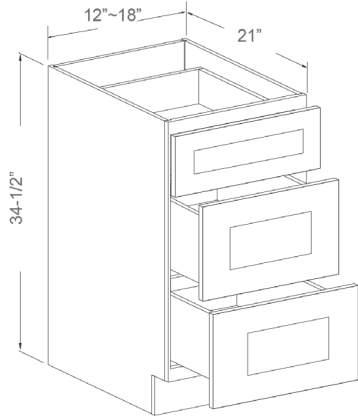
General Info

Item Code	Dimension (W x H x D)
ROT-15	15 x 4-1/2 x 21 Inch
ROT-18	18 x 4-1/2 x 21 Inch
ROT-21	21 x 4-1/2 x 21 Inch
ROT-24	24 x 4-1/2 x 21 Inch
ROT-27	27 x 4-1/2 x 21 Inch
ROT-30	30 x 4-1/2 x 21 Inch
ROT-33	33 x 4-1/2 x 21 Inch
ROT-36	36 x 4-1/2 x 21 Inch

BATHROOM VANITIES



VANITY DRAWER CABINET



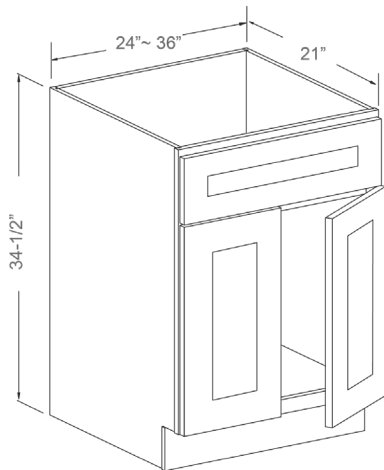
Features:

- 1 Small Drawer
- 2 Large Drawers

General Info

- Item Code Dimension (W x H x D)
- VDB12 12 x 34-1/2 x 21 Inch
- VDB15 15 x 34-1/2 x 21 Inch
- VDB18 18 x 34-1/2 x 21 Inch

VANITY SINK CABINET



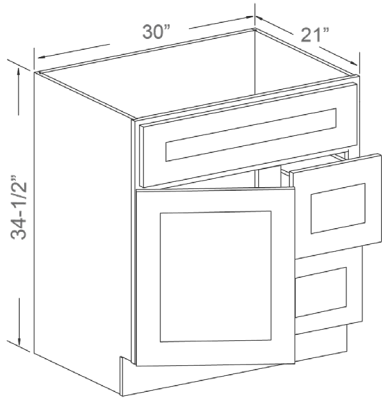
Features:

- 1 Fixed Drawer
- 2 Doors
- No Shelf

General Info

- Item Code Dimension (W x H x D)
- VSB24 24 x 34-1/2 x 21 Inch
- VSB27 27 x 34-1/2 x 21 Inch
- VSB30 30 x 34-1/2 x 21 Inch
- VSB33 33 x 34-1/2 x 21 Inch
- VSB36 36 x 34-1/2 x 21 Inch

VANITY SINK CABINET WITH DRAWERS



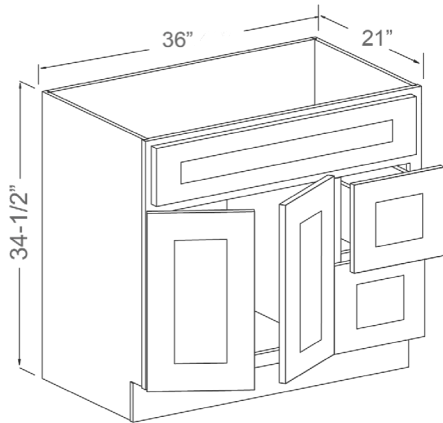
Features:

- 2 Drawers on R/L
- 1 Door on R/L
- No Shelf

General Info

- Item Code Dimension (W x H x D)
- VSD30 (L/R) 30 x 34-1/2 x 21 Inch

VANITY SINK CABINET WITH DRAWERS

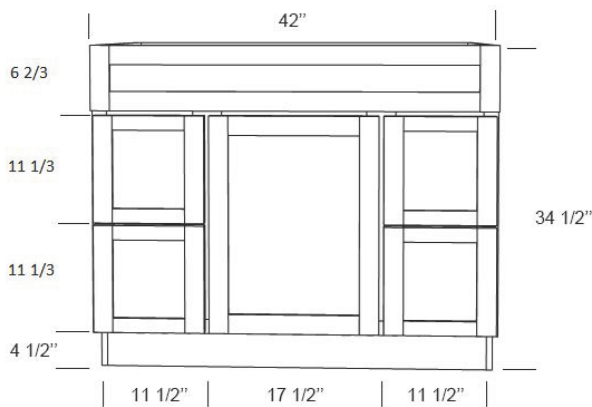


Features:

- 2 Drawers on R/L
- 2 Doors on R/L
- No Shelf

General Info

- Item Code Dimension (W x H x D)
- VSD36 (L/R) 36 x 34-1/2 x 21 Inch



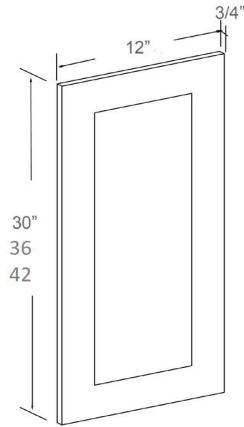
General Info

- Item Code Dimension (W x H x D)
- VSD42 42 x 34-1/2 x 21 Inch

DUMMY DOORS, DRAWERS & REPLACEMENTS



DECORATIVE DOOR FOR WALL CABINET



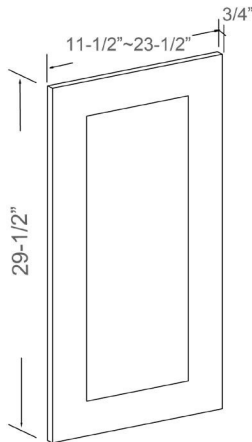
Features:

- 3/4" Thick Decorative Door Panel
- NOT to be used as cabinet door replacement

General Info

Item Code	Dimension (W x H)
WDD1230	11-1/2 x 29-1/4 Inch
WDD1236	11-1/2 x 35-1/4 Inch
WDD1242	11-1/2 x 41-1/4" Inch

DECORATIVE DOOR FOR BASE CABINET



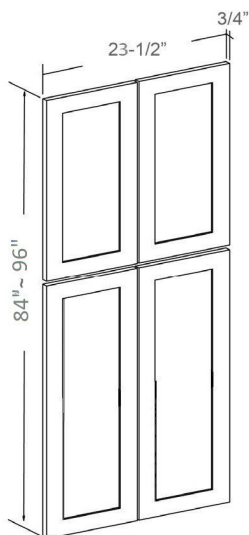
Features:

- 3/4" Thick Decorative Door Panel
- NOT to be used as cabinet door replacement

General Info

Item Code	Dimension (W x H)
BDD1230	11-1/2 x 29-1/4 x 3/4 Inch
BDD1530	14-1/2 x 29-1/4 x 3/4 Inch
BDD1830	17-1/2 x 29-1/4 x 3/4 Inch
BDD2130	20-1/2 x 29-1/4 x 3/4 Inch
BDD2430	23-1/2 x 29-1/4 x 3/4 Inch

DECORATIVE DOOR FOR PANTRY CABINET SIDE



Features:

- 3/4" Thick Decorative Door Panel
- 2 Bottom Doors are 49.5" H x 11-3/4" W

General Info

Item Code	Dimension (W x H)
T84	23-1/2 x 83 Inch
T90	23-1/2 x 89 Inch
T96	23-1/2 x 95 Inch

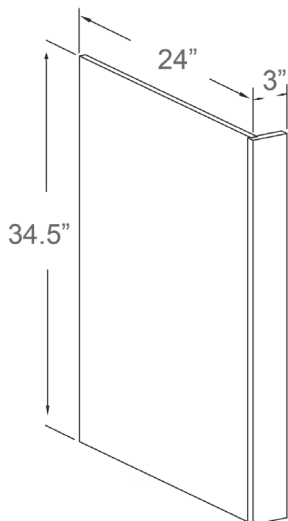
Description

- For 84" H: 2 Top Doors 29.5" H x 11-1/2" W
- For 90" H: 2 Top Doors 35.5" H x 11-1/2" W
- For 96" H: 2 Top Doors 41/5" H x 11-1/2" W

PANELS, FILLERS & TOUCH UP KIT



DISHWASHER PANEL WITH RETURN FILLER



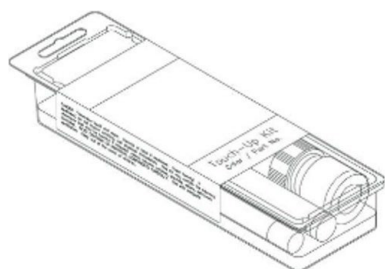
Features:

- 3" Return Filler
- 5/8" Panel
- Matching Color Finish on Both Side & Filler

General Info

Item Code	Dimension (W x H x D)
DWR3	3 x 34-1/2 x 24 Inch

TOUCH UP KIT



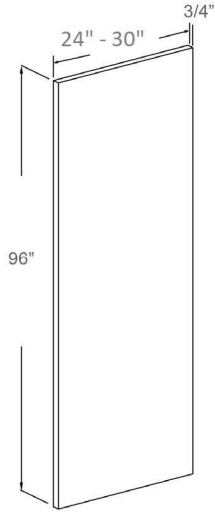
Features:

- Paint Pen
- Cabinet Wood Filler Included

General Info

Item Code
TUK

REFRIGERATOR PANEL



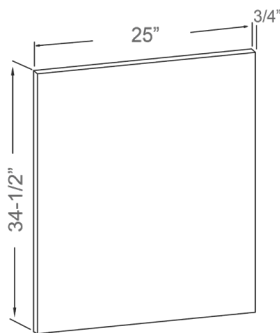
Features:

- 3/4" Panel
- 1 Side-Edge Matching Color
- 2 Sides Surfaces Matching Color

General Info

Item Code	Dimension (W x H x D)
REP9624(3/4)	3/4 x 96 x 24 Inch
REP9630(3/4)	3/4 x 96 x 30 Inch

BASE END PANEL



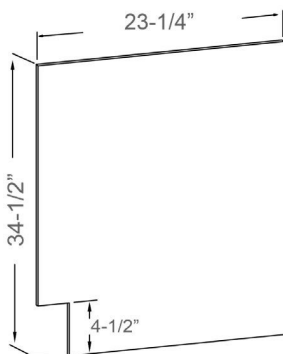
Features:

- 3/4" Panel
- 2 Side-Edges Matching Color
- 2 Sides Surfaces Matching Color

General Info

Item Code	Dimension (W x H x D)
BEP	25 x 34-1/2 x 3/4 Inch

FINISHED SKIN PANEL FOR BASE CABINETS



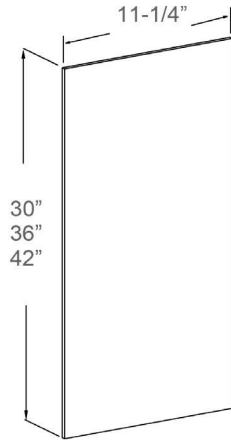
Features:

- 1/4" Panel
- Finished L/R/Both/None

General Info

Item Code	Dimension (W x H x D)
BS24	23-1/4 x 34-1/2 x 1/4 Inch

FINISHED SKIN PANEL FOR WALL CABINETS



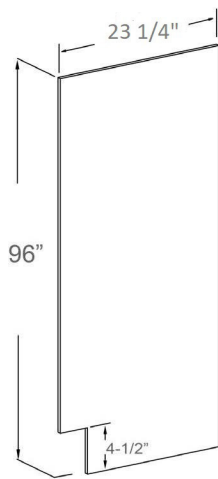
Features:

- 1/4" Panel
- Finished on 1 side

General Info

- Item Code Dimension (W x H x D)
- WS1230 11-1/4 x 30 x 1/5 Inch
- WS1236 11-1/4 x 36 x 1/5 Inch
- WS1242 11-1/4 x 42 x 1/5 Inch

FINISHED SKIN PANEL FOR PANTRY CABINETS



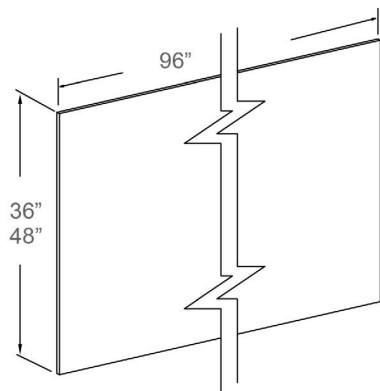
Features:

- 1/4" Panel
- Finished on 1 side

General Info

- Item Code Dimension (W x H x D)
- TS2496 23-1/4 x 96 x 1/4 Inch

FINISHED SKIN PANEL



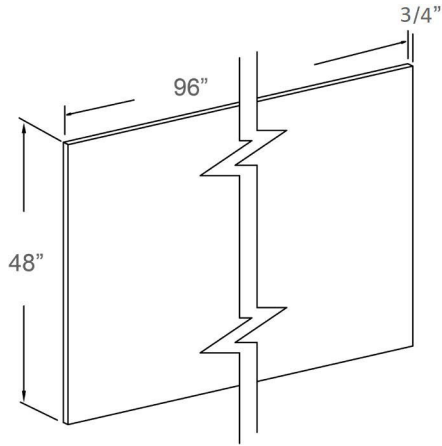
Features:

- 1/4" Panel
- Finished on 1 side

General Info

- Item Code Dimension (W x H x D)
- BP3696 96 x 36 x 1/4 Inch
- BP4896 96 x 48 x 1/4 Inch

FINISHED PANEL BOARD



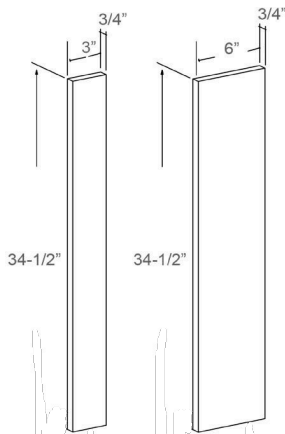
Features:

- 3/4" Panel
- 1 Side Surface Finish

General Info

Item Code	Dimension (W x H x D)
FP4896	96 x 48 x 3/4 Inch

BASE FILLER



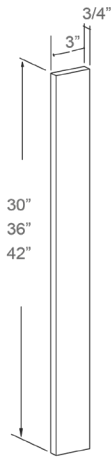
Features:

- 3/4" Solid Wood
- Finished on One Face and Two Long Edges

General Info

Item Code	Dimension (W x H x D)
BF3	3 x 34-1/2 x 3/4 Inch
BF6	6 x 34-1/2 x 3/4 Inch

WALL FILLER



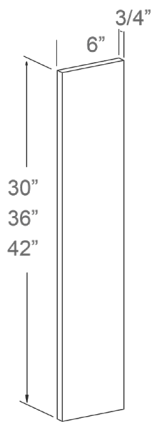
Features:

- 3/4" Solid Wood
- Finished on One Face and Two Long Edges

General Info

Item Code	Dimension (W x H x D)
WF330	3 x 30 x 3/4 Inch
WF336	3 x 36 x 3/4 Inch
WF342	3 x 42 x 3/4 Inch

WALL FILLER



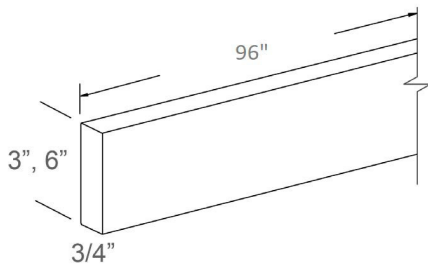
Features:

- 3/4" Solid Wood
- Finished on One Face and Two Long Edges

General Info

Item Code	Dimension (W x H x D)
WF630	6 x 30 x 3/4 Inch
WF636	6 x 36 x 3/4 Inch
WF642	6 x 42 x 3/4 Inch

TALL FILLER



Features:

- 3/4" Solid Wood
- Finished on One Face and Two Long Edges

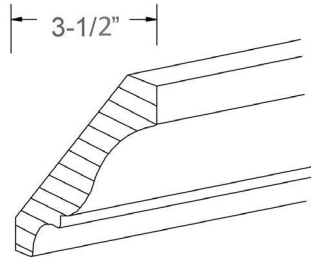
General Info

Item Code	Dimension (W x H x D)
TF3	3 x 96 x 3/4 Inch
TF6	6 x 96 x 3/4 Inch

| MOLDINGS



CROWN MOLDING



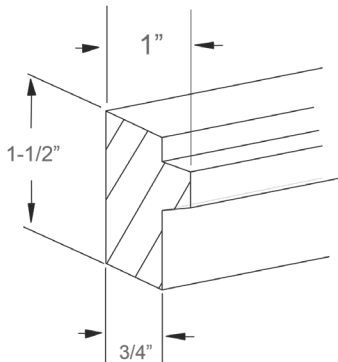
Features:

- Solid Wood
- Matching Color

General Info

- Item Code Dimension (W x H x D)
- CM 3-1/2 96 x 3-1/2 x 3/4 Inch

SIMPLICITY LIGHT RAIL MOLDING



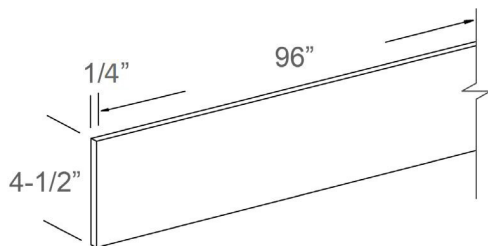
Features:

- Solid Wood
- Matching Color

General Info

- Item Code Dimension (W x H x D)
- LRM 96 x 1-1/2 x 1 Inch

TOE KICK



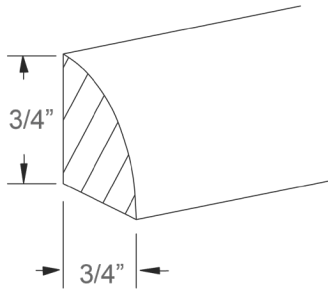
Features:

- 1/5" Panel
- Matching Color

General Info

- Item Code Dimension (W x H x D)
- TK8 96 x 4-1/2 x 1/4 Inch

QUARTER ROUND MOLDING



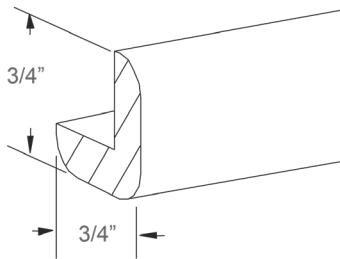
Features:

- Solid Wood
- Matching Color

General Info

- Item Code Dimension (W x H x D)
- QR 96 x 3/4 x 3/4 Inch

OUTSIDE CORNER MOLDING



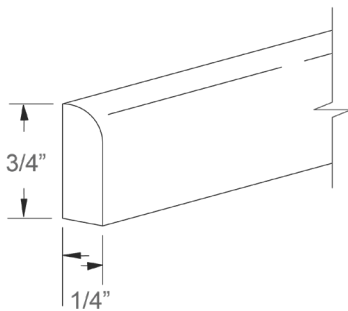
Features:

- Solid Wood
- Matching Color

General Info

- Item Code Dimension (W x H x D)
- OCM 96 x 3/4 x 3/4 Inch

SCRIBE MOLDING



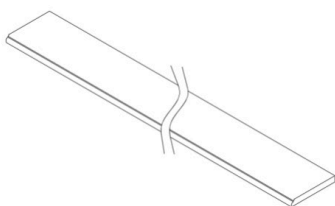
Features:

- Solid Wood
- Matching Color

General Info

- Item Code Dimension (W x H x D)
- SM 96 x 3/4 x 1/4 Inch

BASE MOLDING



Features:

- Solid Wood
- Matching Color

General Info

- Item Code Dimension (W x H x D)
- OBM8 3/4 x 6 x 96

FRAMELESS CABINETRY



FRAMELESS CABINETRY

At Deluxe Wood Cabinetry, we offer frameless cabinetry, also known as full access or European cabinetry. This sleek and modern style provides maximum storage space with its clean lines and minimalist design, making it a popular choice for contemporary kitchens and baths.



1. Available in **Slab Door** Style Only
2. 3/4" plywood box with a taupe melamine interior and exterior finish
3. Durable thermo-strutted surface coating
4. Soft-close concealed hinges
5. Dovetail drawer boxes with a slab drawer front and full extension under-mount soft-close slides
6. Adjustable 3/4" plywood shelves with a taupe melamine finish on both sides

High Gloss Slab Doors

1. Alvic Luxe Blanco
2. Alvic Luxe Azul Indigo
3. Alvic Luxe Cashmere

Textured Slab Doors

1. Alvic Synchron Roble Muratti 01
2. Alvic Synchron Ida 02
3. Egger Auburn Carini Walnut

Frameless Sample Doors & Modifications

Sample Doors	SKU
1 Set (All 6 Colors)	Frameless Sample Kit

Modifications	Description
---------------	-------------

Wall Cabinets:

12" - 24" H	Finished End: Left or Right Finished End: Both
30" H	Finished End: Left or Right Finished End: Both
36" H	Finished End: Left or Right Finished End: Both
42" H	Finished End: Left or Right Finished End: Both

Base Cabinets	Finished End: Left or Right Finished End: Both
----------------------	---

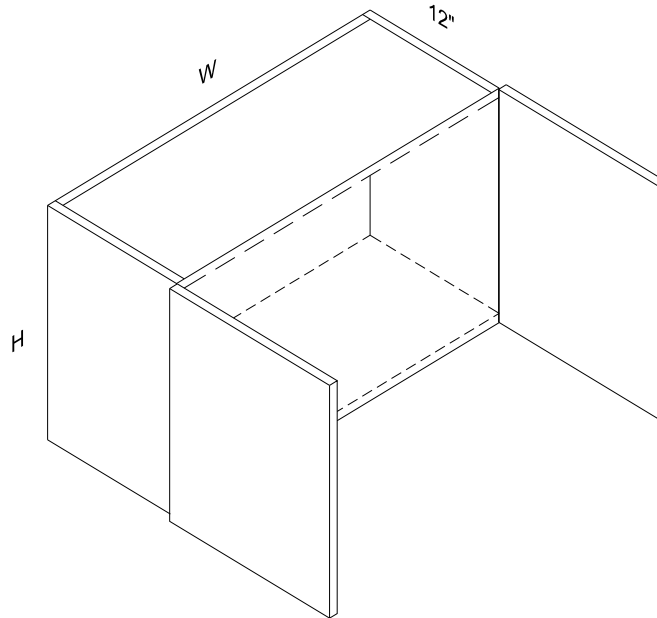
Vanity Cabinets	Finished End: Left or Right Finished End: Both
------------------------	---

Floating Vanity	Finished End: Left or Right Finished End: Both
------------------------	---

Tall Cabinets	Finished End: Left or Right Finished End: Both
----------------------	---

Reduce Depth	Reduce Cabinet Depth
---------------------	----------------------

Frameless Wall Cabinets



12" Double Door

SKU

24" W x 12" H

Frameless W2412

30" W x 12" H

Frameless W3012

33" W x 12" H

Frameless W3312

36" W x 12" H

Frameless W3612

15" Double Door

SKU

24" W x 15" H

Frameless W2415

30" W x 15" H

Frameless W3015

33" W x 15" H

Frameless W3315

36" W x 15" H

Frameless W3615

18" Double Door

SKU

24" W x 18" H

Frameless W2418

30" W x 18" H

Frameless W3018

33" W x 18" H

Frameless W3318

36" W x 18" H

Frameless W3618

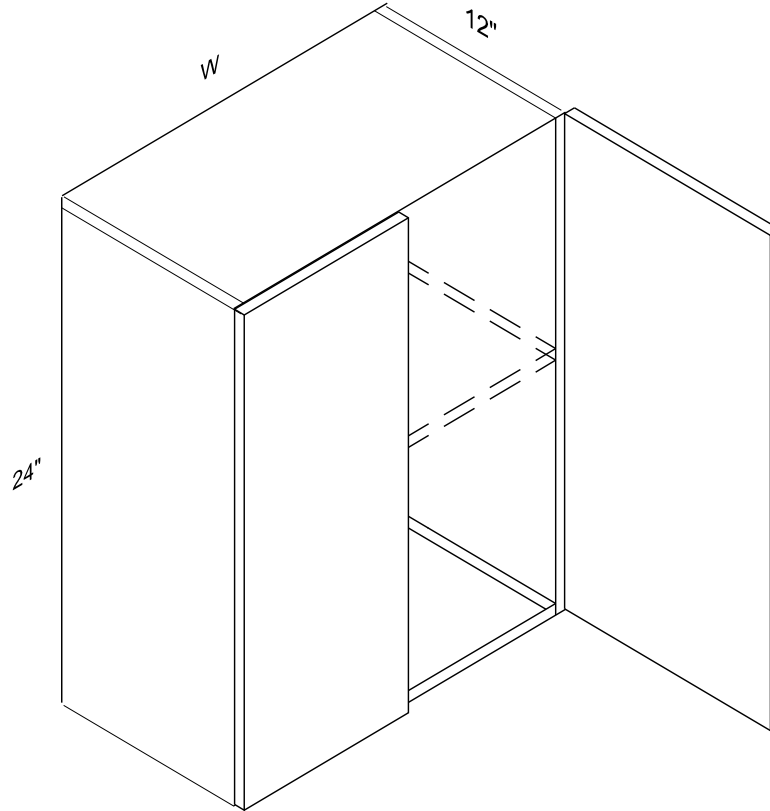
21" Double Door

SKU

24" W x 21" H

Frameless W2421

Frameless Wall Cabinets



24" Double Door

SKU

24" W x 24" H

Frameless W2424

30" W x 24" H

Frameless W3024

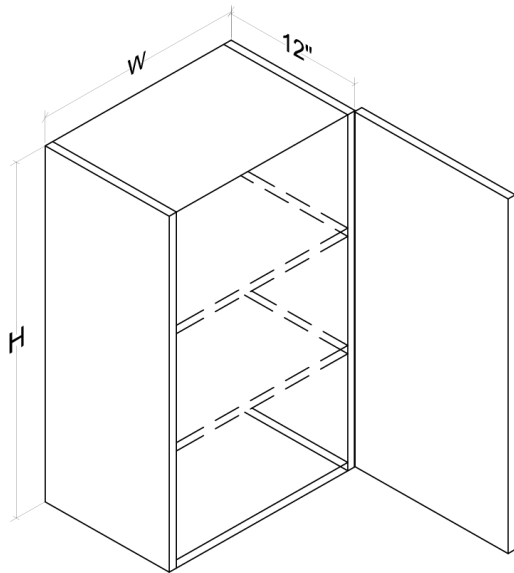
33" W x 24" H

Frameless W3324

36" W x 24" H

Frameless W3624

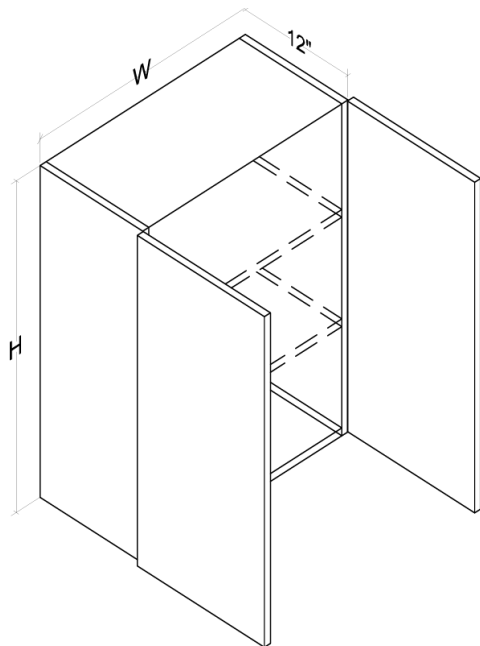
Frameless Wall Cabinets



Note: Single Door = 21" W and below

30" Tall Door	SKU
---------------	-----

9" W x 30" H	Frameless W0930
12" W x 30" H	Frameless W1230
15" W x 30" H	Frameless W1530
18" W x 30" H	Frameless W1830
21" W x 30" H	Frameless W2130
24" W x 30" H	Frameless W2430
27" W x 30" H	Frameless W2730
30" W x 30" H	Frameless W3030
33" W x 30" H	Frameless W3330
36" W x 30" H	Frameless W3630

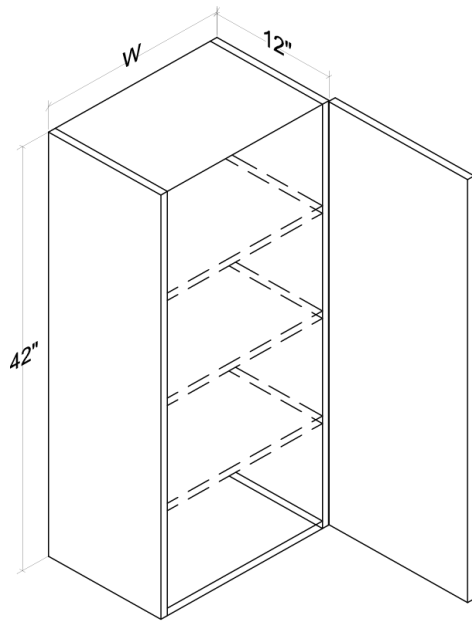


Note: Double Door = 24" W and below

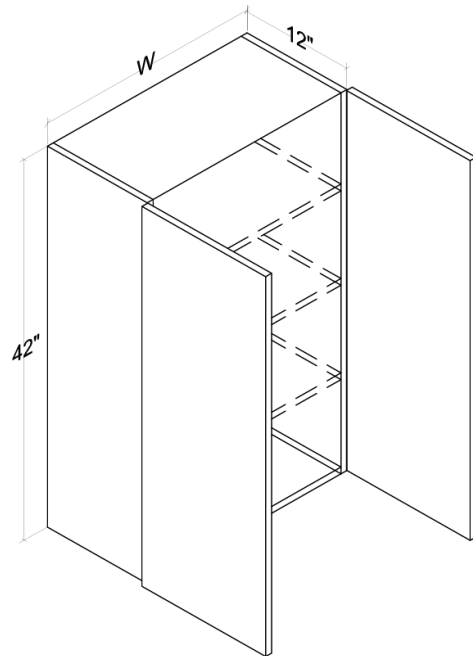
36" Tall Door	SKU
---------------	-----

9" W x 36" H	Frameless W0930
12" W x 36" H	Frameless W1230
15" W x 36" H	Frameless W1530
18" W x 36" H	Frameless W1830
21" W x 36" H	Frameless W2130
24" W x 36" H	Frameless W2430
27" W x 36" H	Frameless W2730
30" W x 36" H	Frameless W3030
33" W x 36" H	Frameless W3330
36" W x 36" H	Frameless W3630

Frameless Wall Cabinets



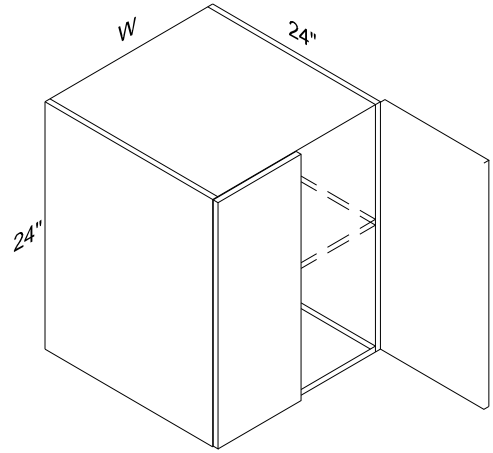
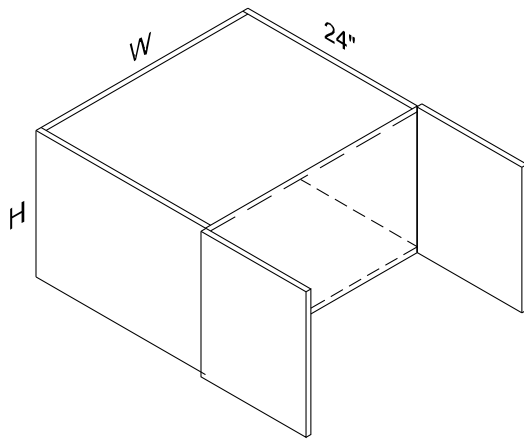
Note: Single Door = 21" W and below



Note: Double Door = 24" W and above

Wall	SKU
9" W x 42" H	Frameless W0942
12" W x 42" H	Frameless W1242
15" W x 42" H	Frameless W1542
18" W x 42" H	Frameless W1842
21" W x 42" H	Frameless W2142
24" W x 42" H	Frameless W2442
27" W x 42" H	Frameless W2742
30" W x 42" H	Frameless W3042
33" W x 42" H	Frameless W3342
36" W x 42" H	Frameless W3642

Frameless Refrigerator Wall Cabinets



Refrigerator Wall	SKU
-------------------	-----

24" W x 12" H x 24" H	Frameless W241224
30" W x 12" H x 24" D	Frameless W301224
33" W x 12" H x 24" D	Frameless W331224
36" W x 12" H x 24" D	Frameless W361224

24" W x 15" H x 24" H	Frameless W241524
30" W x 15" H x 24" D	Frameless W301524
33" W x 15" H x 24" D	Frameless W331524
36" W x 15" H x 24" D	Frameless W361524

24" W x 18" H x 24" H	Frameless W241824
30" W x 18" H x 24" D	Frameless W301824
33" W x 18" H x 24" D	Frameless W331824
36" W x 18" H x 24" D	Frameless W361824

24" W x 21" H x 24" H	Frameless W242124
30" W x 21" H x 24" D	Frameless W302124
33" W x 21" H x 24" D	Frameless W332124
36" W x 21" H x 24" D	Frameless W362124

24" W x 24" H x 24" H	Frameless W242424
30" W x 24" H x 24" D	Frameless W302424
33" W x 24" H x 24" D	Frameless W332424
36" W x 24" H x 24" D	Frameless W362424

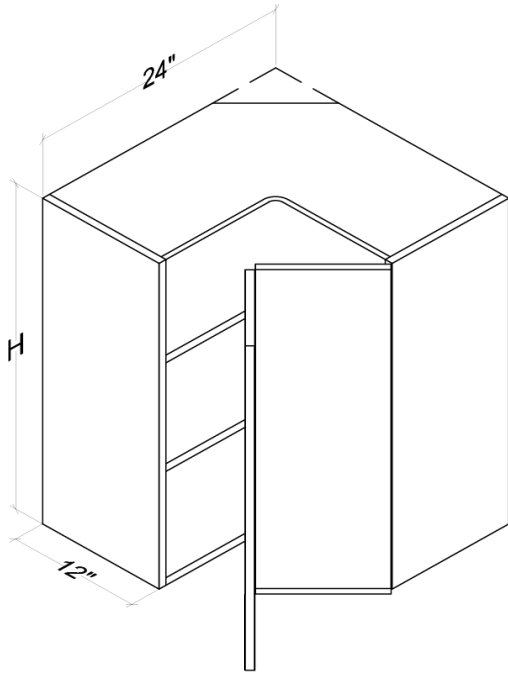
Frameless Wall Corner Cabinets

Note:

30" H = 2 shelves

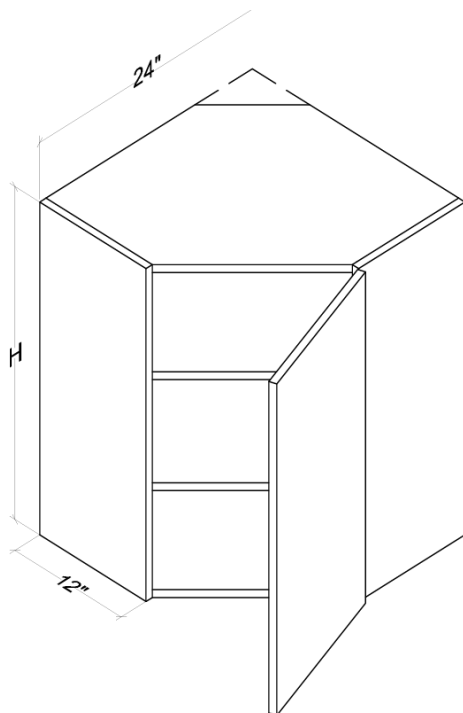
36" H = 2 shelves

42" H = 3 shelves



36" Tall Door	SKU
---------------	-----

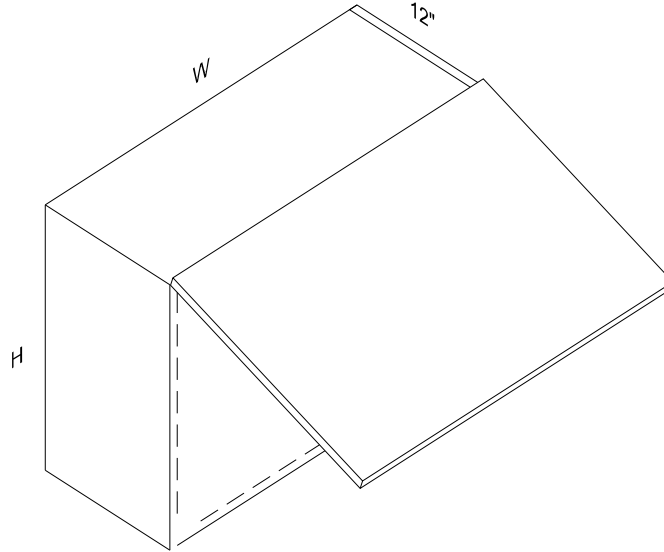
9" W x 36" H	Frameless W0930
12" W x 36" H	Frameless W1230
15" W x 36" H	Frameless W1530
18" W x 36" H	Frameless W1830
21" W x 36" H	Frameless W2130
24" W x 36" H	Frameless W2430
27" W x 36" H	Frameless W2730
30" W x 36" H	Frameless W3030
33" W x 36" H	Frameless W3330
36" W x 36" H	Frameless W3630



36" Tall Door	SKU
---------------	-----

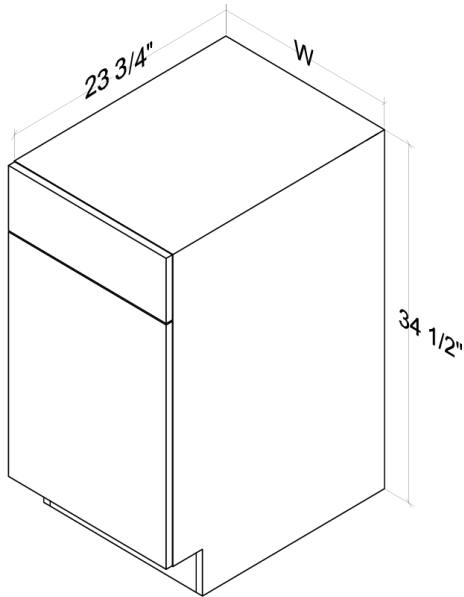
9" W x 36" H	Frameless W0930
12" W x 36" H	Frameless W1230
15" W x 36" H	Frameless W1530
18" W x 36" H	Frameless W1830
21" W x 36" H	Frameless W2130
24" W x 36" H	Frameless W2430
27" W x 36" H	Frameless W2730
30" W x 36" H	Frameless W3030
33" W x 36" H	Frameless W3330
36" W x 36" H	Frameless W3630

Frameless Wall Lift Up Cabinets

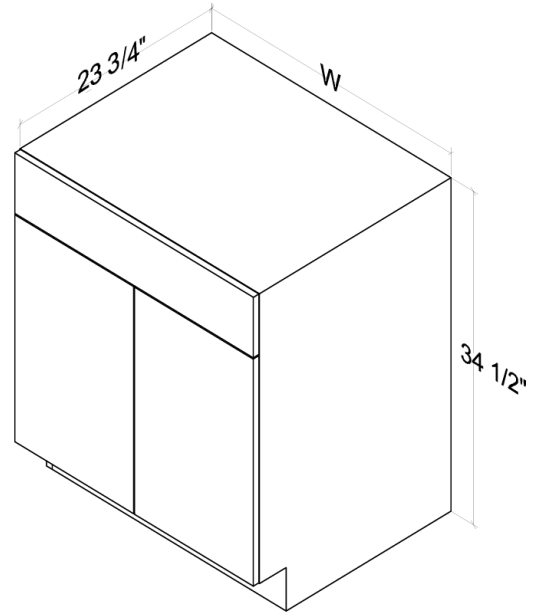


Wall Lift Up	SKU
30" W x 12" H	Frameless W3012UP
30" W x 15" H	Frameless W3015UP
30" W x 18" H	Frameless W3018UP
33" W x 12" H	Frameless W3312UP
33" W x 15" H	Frameless W3315UP
33" W x 18" H	Frameless W3318UP
36" W x 12" H	Frameless W3612UP
36" W x 15" H	Frameless W3615UP
36" W x 18" H	Frameless W3618UP

Frameless Base Cabinets



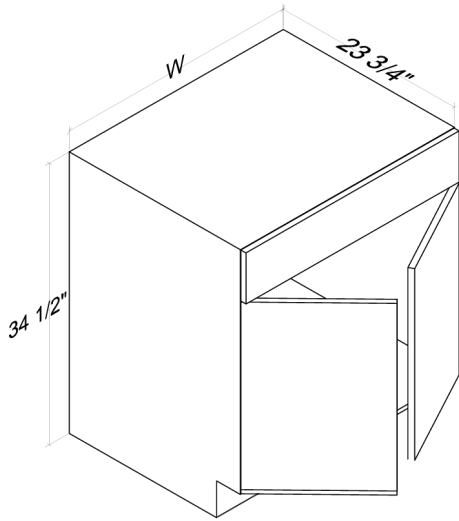
Note: Single Door = 21" W and below



Note: Double Door = 24" W and above

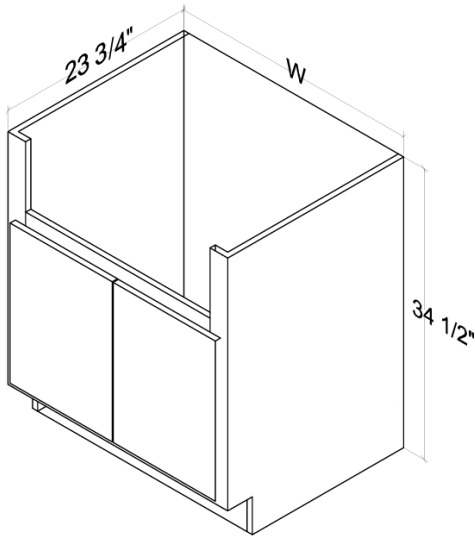
Full Height	SKU
9" W	Frameless BFH09
12" W	Frameless BFH12
15" W	Frameless BFH15
18" W	Frameless BFH18
21" W	Frameless BFH21
24" W	Frameless BFH24
27" W	Frameless BFH27
30" W	Frameless BFH30
33" W	Frameless BFH33
36" W	Frameless BFH36

Frameless Sink Base Cabinets



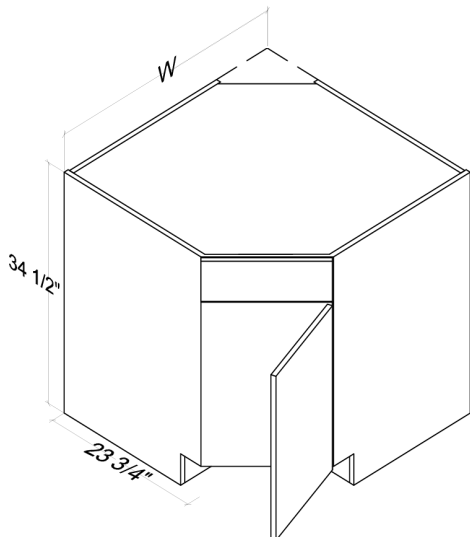
Sink Base	SKU
-----------	-----

24" W	Frameless SB24
27" W	Frameless SB27
30" W	Frameless SB30
33" W	Frameless SB33
36" W	Frameless SB36



Farm Sink	SKU
-----------	-----

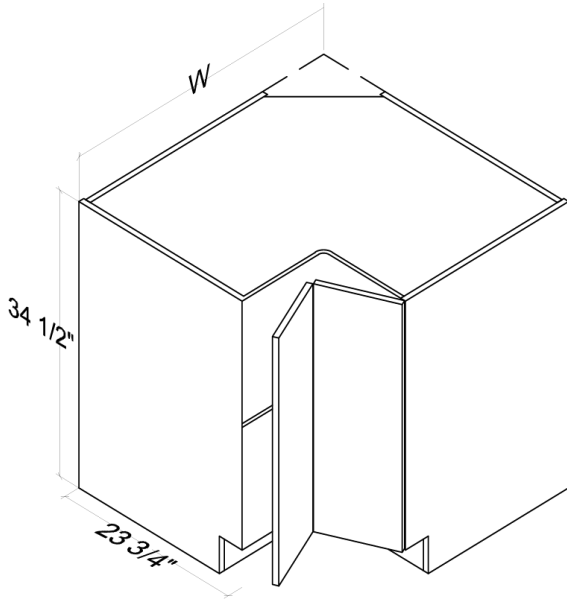
36" W	Frameless FS36
-------	----------------



Corner Sink	SKU
-------------	-----

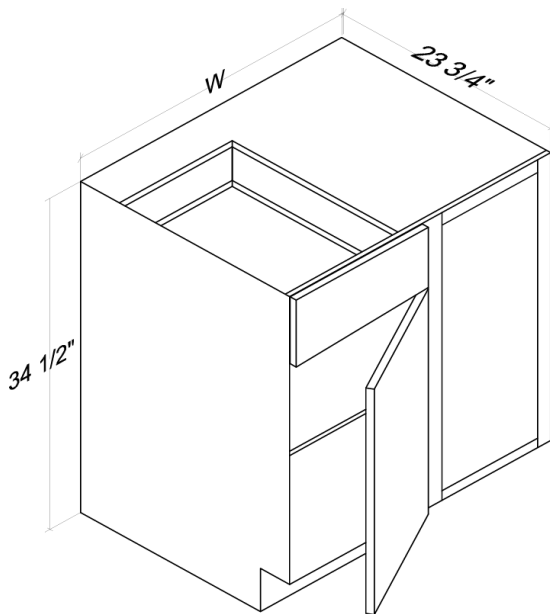
33" W	Frameless CSB33
36" W	Frameless CSB36

Frameless Base Cabinets



Lazy Susan	SKU
------------	-----

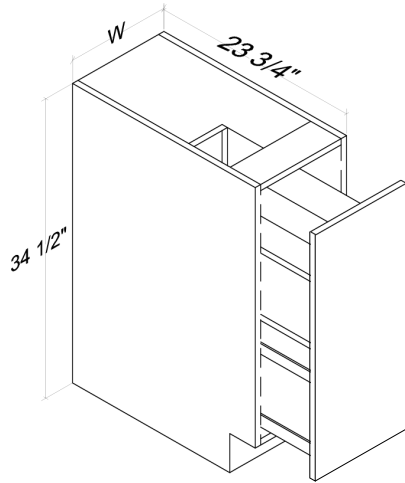
- | | |
|-------|-----------------|
| 33" W | Frameless LSB33 |
| 36" W | Frameless LSB36 |



Blind	SKU
-------	-----

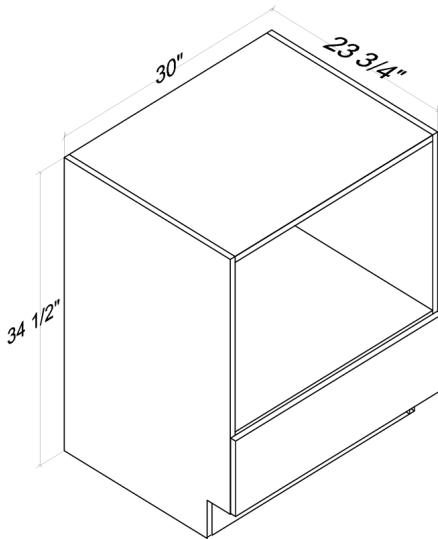
- | | |
|-------|-----------------|
| 42" W | Frameless BLB42 |
| 45" W | Frameless BLB45 |
| 48" W | Frameless BLB48 |

Frameless Base Cabinets



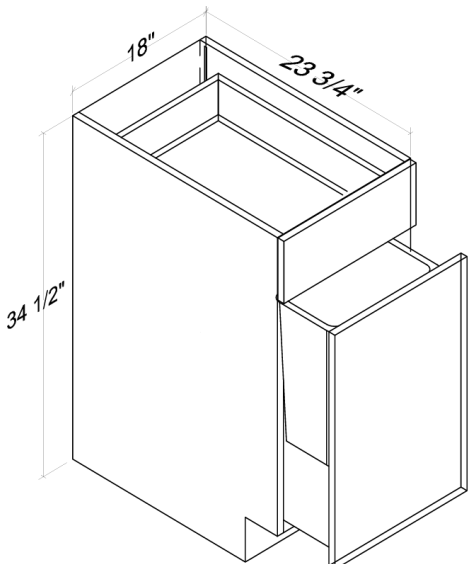
Spice Rack	SKU
------------	-----

- | | |
|-------|-----------------|
| 9" W | Frameless BSR09 |
| 12" W | Frameless BSR12 |
| 15" W | Frameless BSR15 |



Base Microwave	SKU
----------------	-----

- | | |
|-------|-----------------|
| 30" W | Frameless BMO30 |
|-------|-----------------|

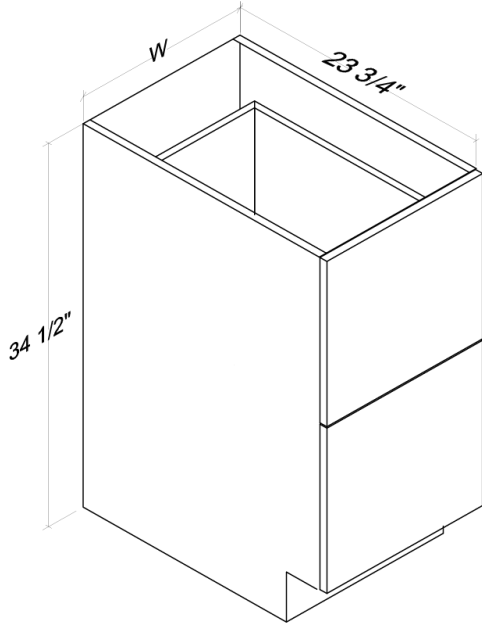


Base Wastebasket	SKU
------------------	-----

- | | |
|-------|-----------------|
| 18" W | Frameless BWB18 |
|-------|-----------------|

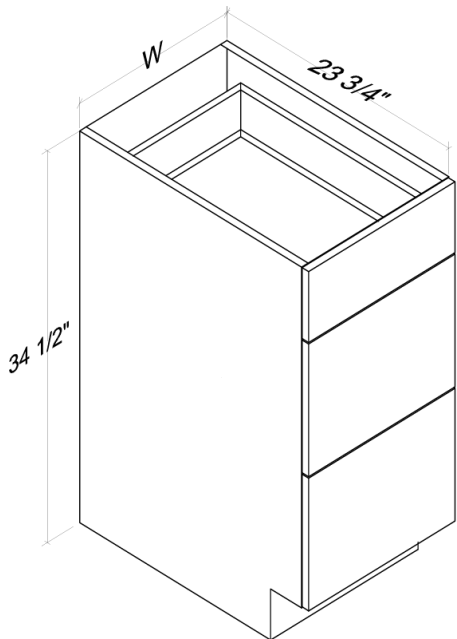
Note: Includes 2 white 35 qt waste bins.

Frameless Base Drawer Cabinets



2 Drawer	SKU
----------	-----

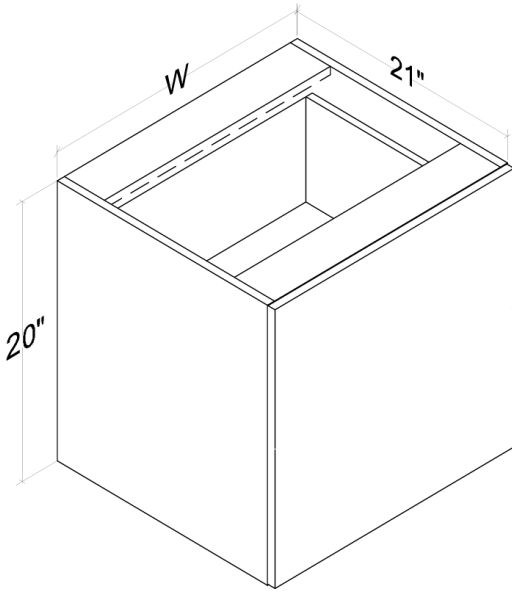
30" W	Frameless 2DB30
33" W	Frameless 2DB33
36" W	Frameless 2DB36



3 Drawer	SKU
----------	-----

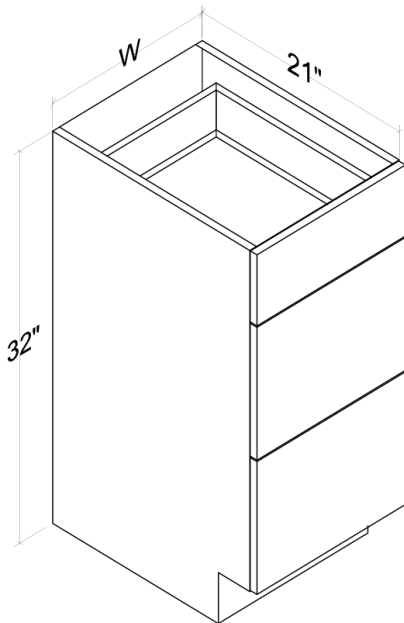
12" W	Frameless 3DB12
15" W	Frameless 3DB15
18" W	Frameless 3DB18
21" W	Frameless 3DB21
24" W	Frameless 3DB24
27" W	Frameless 3DB27
30" W	Frameless 3DB30
33" W	Frameless 3DB33
36" W	Frameless 3DB36

Frameless Vanity Cabinets



Floating Vanity	SKU
-----------------	-----

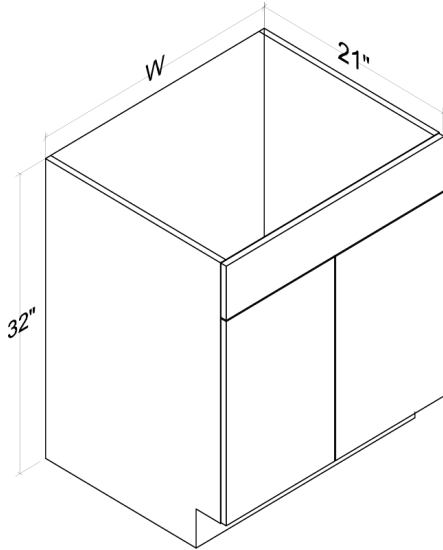
12" W	Frameless VHB12
15" W	Frameless VHB15
18" W	Frameless VHB18



Vanity Drawer	SKU
---------------	-----

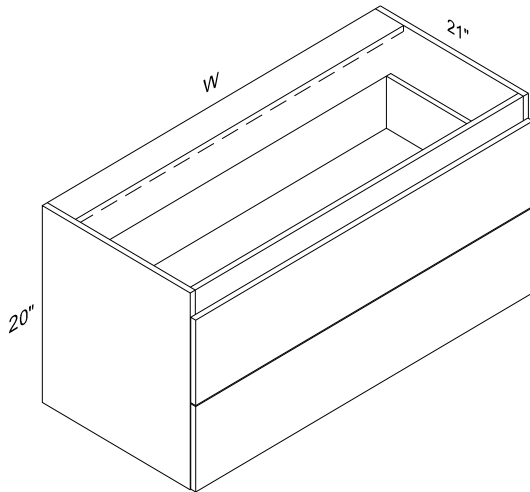
12" W	Frameless VDB12
15" W	Frameless VDB15
18" W	Frameless VDB18

Frameless Vanity Sink Base Cabinets



Vanity Sink Base	SKU
------------------	-----

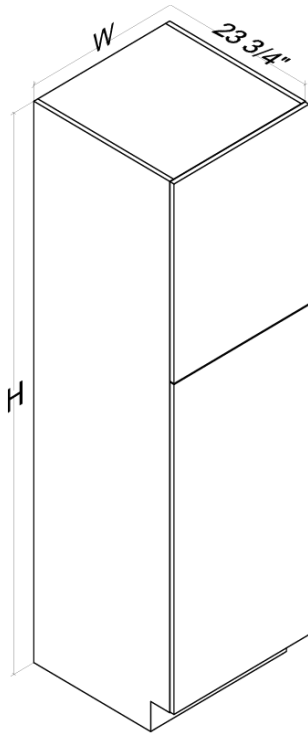
24" W	Frameless VSB24
30" W	Frameless VSB30
36" W	Frameless VSB36



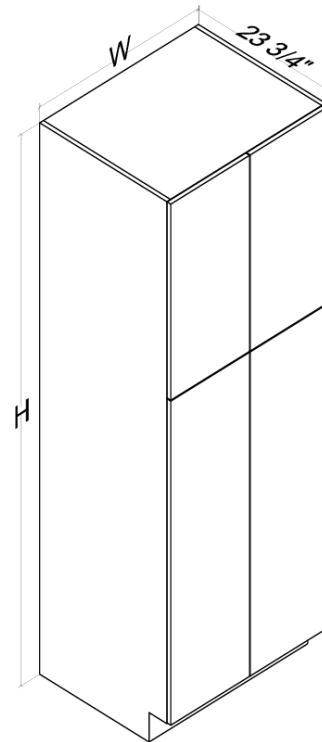
Vanity Sink Base	SKU
------------------	-----

24" W	Frameless VHDSB24
30" W	Frameless VHDSB30
36" W	Frameless VHDSB36

Frameless Tall Pantry Cabinet



Note: Single Door = 15" W and 18" W



Note: Double Door = 24" W and 30" W

Tall Pantry

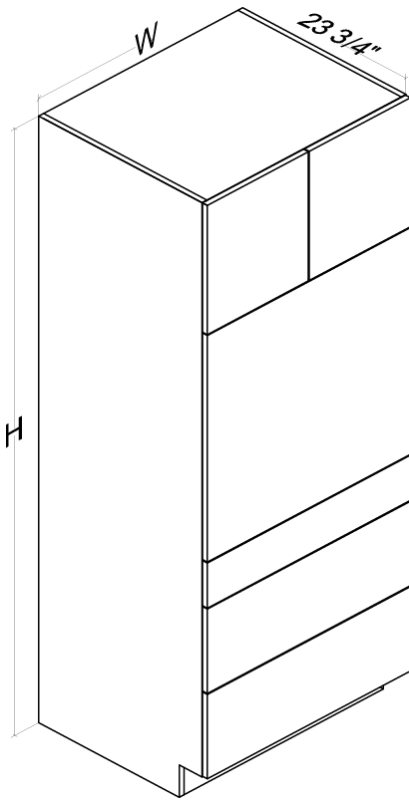
SKU

15" W x 84" H	Frameless TP158424
15" W x 90" H	Frameless TP159024
15" W x 96" H	Frameless TP159624
18" W x 84" H	Frameless TP188424
18" W x 90" H	Frameless TP189024
18" W x 96" H	Frameless TP189624
24" W x 84" H	Frameless TP248424
24" W x 90" H	Frameless TP249024
24" W x 96" H	Frameless TP249624
30" W x 84" H	Frameless TP308424
30" W x 90" H	Frameless TP309024
30" W x 96" H	Frameless TP309624

Shelving:

- 84" & 90" H pantry
 - Top = 1
 - Bottom = 3
- 96" H pantry
 - Top = 2
 - Bottom = 3

Frameless Oven Cabinets



Oven	SKU
30" W x 84" H	Frameless OC308424
30" W x 90" H	Frameless OC309024
30" W x 96" H	Frameless OC309624
33" W x 84" H	Frameless OC338424-3
33" W x 90" H	Frameless OC339024-3
33" W x 96" H	Frameless OC339624-3

Frameless Panels

Panels	SKU
Dishwasher End Panel (34-1/2" H with 3" filler)	Frameless BEP3
Base End Panel (24-5/8" W x 34-1/2" H x 3/4" thick)	Frameless PVE
Floating Vanity End Panel (21-7/8" W x 20" H x 3/4" thick)	Frameless PFVE
Tall End Panel (24-5/8" W x 84" H x 3/4" thick)	Frameless PTE84
Tall End Panel (24-5/8" W x 90" H x 3/4" thick)	Frameless PTE90
Tall End Panel (24-5/8" W x 96" H x 3/4" thick)	Frameless PTE96
Wall End Panel (12-7/8" W x 12" H x 3/4" thick)	Frameless PWE12
Wall End Panel (12-7/8" W x 15" H x 3/4" thick)	Frameless PWE15
Wall End Panel (12-7/8" W x 18" H x 3/4" thick)	Frameless PWE18
Wall End Panel (12-7/8" W x 21" H x 3/4" thick)	Frameless PWE21
Wall End Panel (12-7/8" W x 24" H x 3/4" thick)	Frameless PWE24
Wall End Panel (12-7/8" W x 27" H x 3/4" thick)	Frameless PWE27
Wall End Panel (12-7/8" W x 30" H x 3/4" thick)	Frameless PWE30
Wall End Panel (12-7/8" W x 33" H x 3/4" thick)	Frameless PWE33
Wall End Panel (12-7/8" W x 36" H x 3/4" thick)	Frameless PWE36
Wall End Panel (12-7/8" W x 42" H x 3/4" thick)	Frameless PWE42
Custom Panel (3/4" thick)	Frameless CTS

Frameless Moldings & Fillers

Moldings	SKU
----------	-----

Toe Kick 94" H	MTK94
----------------	-------

Moldings	SKU
----------	-----

Tall Filler (3" W x 96" H x 3/4" thick)	Frameless TF396
---	-----------------

Tall Filler (6" W x 96" H x 3/4" thick)	Frameless TF696
---	-----------------

Wall Filler (3" W x 30" H)	Frameless WF330*
----------------------------	------------------

Wall Filler (3" W x 36" H)	Frameless WF336
----------------------------	-----------------

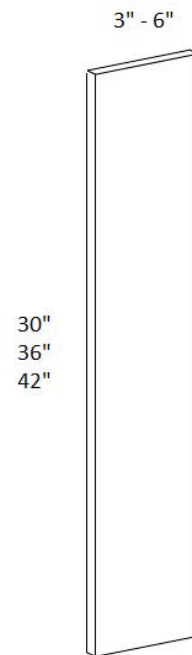
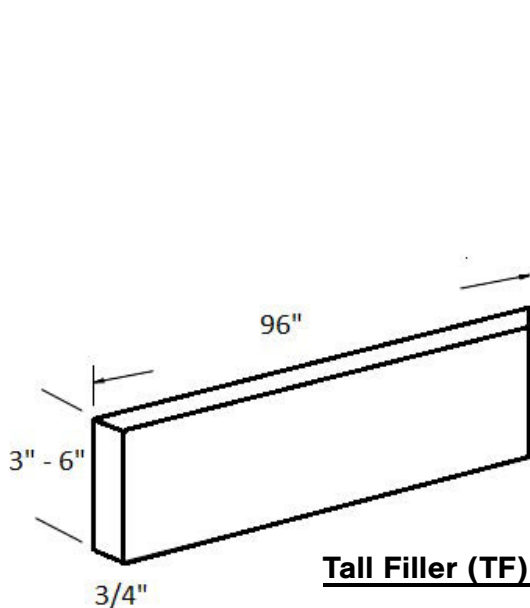
Wall Filler (3" W x 42" H)	Frameless WF342
----------------------------	-----------------

Wall Filler (6" W x 30" H)	Frameless WF630*
----------------------------	------------------

Wall Filler (6" W x 33" H)	Frameless WF636
----------------------------	-----------------

Wall Filler (6" W x 42" H)	Frameless WF642
----------------------------	-----------------

WF330 and WF630 can also be used as base fillers



Deluxe  wood[®]
CABINETS

 info@deluxewoodcabinetry.com

 (475) 655 - 2687

 www.deluxewoodllc.com